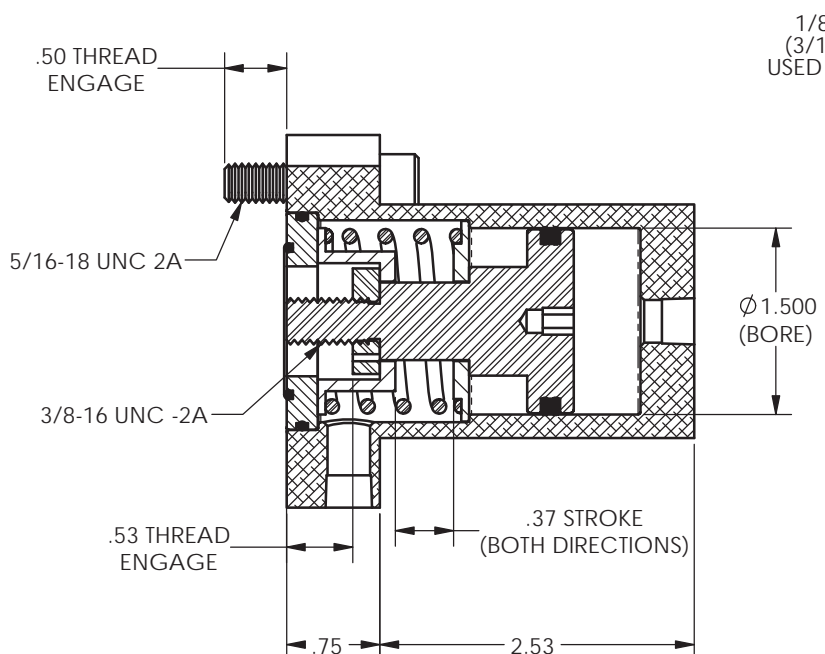
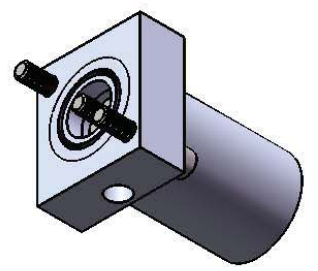
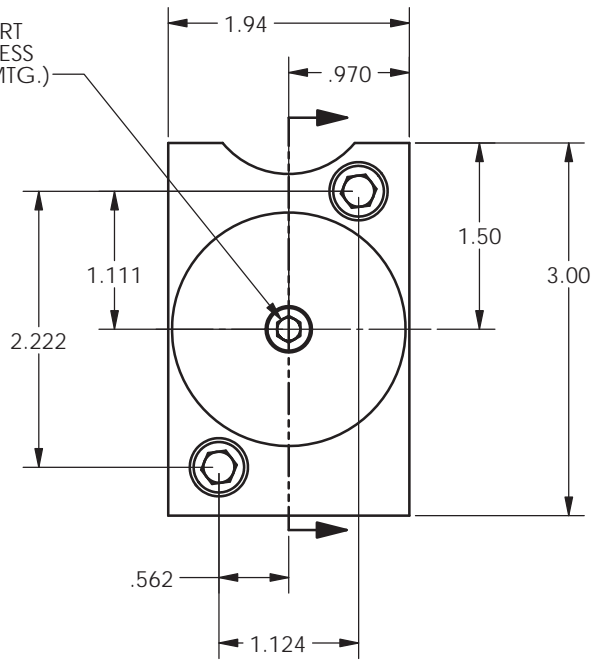


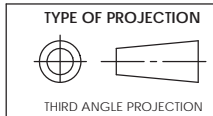
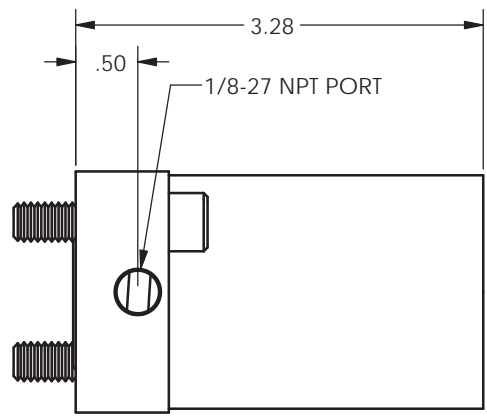
REVISIONS				
ECR	REV	DESCRIPTION	DATE	APPROVED
E1797	A	See Sheet1	08/07/2012	JUMPER



1/8-27 NPT PORT
(3/16 HEX ACCESS USED FOR CYL. MTG.)



1. NEUTRAL POSITION SHOWN
2. SPRING PRELOAD = 36.7 LBS
3. MIN. EXTENSION FORCE @ 100 PSI AT FULL STROKE = 125 LBS
4. MIN. RETRACT FORCE @ 100 PSI AT FULL STROKE = 65 LBS



PROPRIETARY AND CONFIDENTIAL
 THE INFORMATION CONTAINED IN THIS DRAWING IS THE SOLE PROPERTY OF APSCO Inc.. ANY REPRODUCTION IN PART OR AS A WHOLE WITHOUT WRITTEN PERMISSION OF APSCO Inc. IS PROHIBITED.

DO NOT SCALE DRAWING UNLESS OTHERWISE SPECIFIED DIMENSIONS ARE IN INCHES
 TOLERANCES ARE:
 DECIMALS
 .X = ±.03
 .XX = ±.010
 .XXX = ±.005
 FRACTION = ±.015
 ANGLES = ±1/2°
 SURFACE TEXTURE OR BETTER
 MATERIAL N/A
 FINISH N/A



TITLE: AIR ACT FOR A35 HYD VAL			
DWG. NO. C-3535-DM		REV A	
SIZE B	DRAWN MC	DATE 0505/2009	CLASS CYL
F/N:C-3000 SERIES			SHT. 2 OF 2