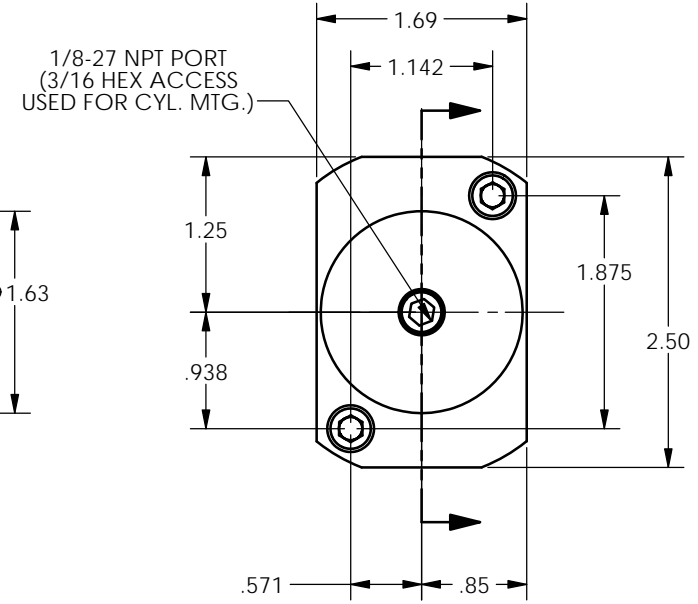
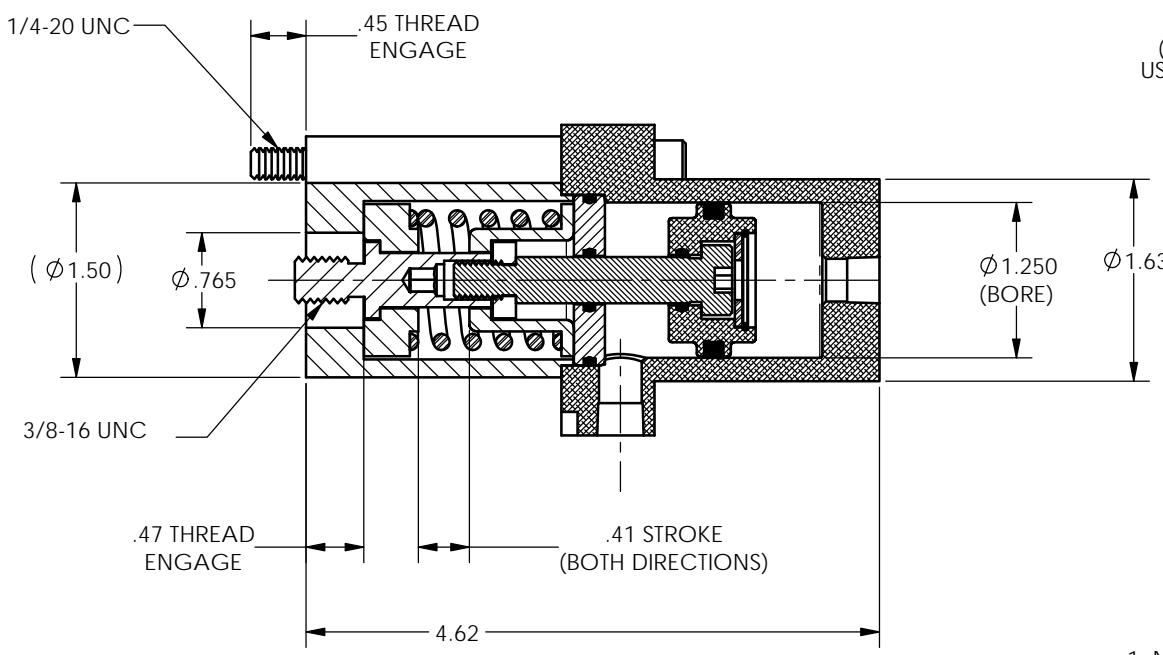
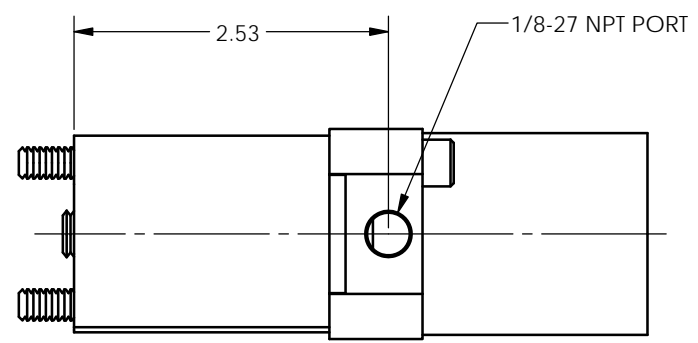


REVISIONS				
ECR	REV	DESCRIPTION	DATE	APPROVED
E2385	D	See Sheet1	12/27/2013	JUMPER



1. NEUTRAL POSITION SHOWN
2. SPRING PRELOAD = 31 LBS
3. MIN. EXTENSION FORCE @ 100 PSI AT FULL STROKE = 46 LBS
4. MIN. RETRACT FORCE @ 100 PSI AT FULL STROKE = 35 LBS



<b>TYPE OF PROJECTION</b>  THIRD ANGLE PROJECTION	<b>DO NOT SCALE DRAWING</b> UNLESS OTHERWISE SPECIFIED DIMENSIONS ARE IN INCHES TOLERANCES ARE: DECIMALS .X = ±.03 .XX = ±.010 .XXX = ±.005 FRACTION = ±.015 ANGLES = ±1/2° ✓ <b>SURFACE TEXTURE OR BETTER</b> MATERIAL N/A FINISH N/A	 8178 EAST 44TH STREET TULSA, OK 74145	
		<b>TITLE: AIR ACT FOR A20 HYD VAL</b>	
<b>PROPRIETARY AND CONFIDENTIAL</b> THE INFORMATION CONTAINED IN THIS DRAWING IS THE SOLE PROPERTY OF APSCO Inc.. ANY REPRODUCTION IN PART OR AS A WHOLE WITHOUT WRITTEN PERMISSION OF APSCO Inc. IS PROHIBITED.	<b>DWG. NO. C-3820-DM</b>		<b>REV D</b>
	<b>SIZE B</b>	DRAWN WEM	DATE 05/03/2004
F/N:C-3000 SERIES			SHT. 2 OF 2