

# LENZ

## P R E S S U R E   G A U G E S



GLYCERINE FILLED GAUGES  
DRY GAUGES  
PROCESS GAUGES  
PRESSURE TRANSMITTERS  
WATER GAUGES

GAUGE ISOLATORS  
SIPHONS  
CHEMICAL SEALS  
BI METAL THERMOMETERS  
AMMONIA GAUGES



## Pressure Gauges Table of Contents

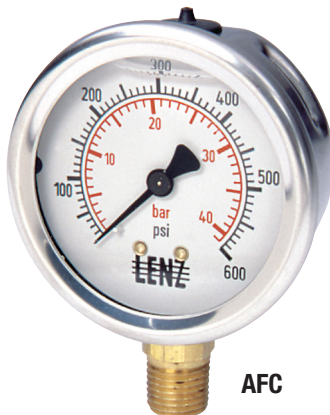


SERIES	PRESSURE GAUGES	SECTION C Page
PG	Product Overview Index	
PG	Features of Lenz Gauges	1c
BAC-25	Glycerine 2.5" Dial Brass Case	2c
AFC-25	Glycerine 2.5" Dial Stainless Case	3c
SS-25	Glycerine 2.5" Dial Stainless Case & Internals	4c
AFC-20	Glycerine 2" Dial Stainless Case	5c
LZ15, LZ20	Dry 1.5" & 2" Dial ABS Case	6c
LZ-25	Dry 2.5" Dial Steel Case	7c
BAC-4	Glycerine 4.0" Dial Brass Case	8c
AFC-4	Glycerine 4.0" Dial Stainless Case	9c
SS-4	Glycerine 4.0" Dial Stainless Case & Internals	10c
PRO 45	Process 4.5" Dial, ABS Case	11c
AMM-25	Dry 2.5" Refrigeration Stainless Case	11c
LOW-25	Dry 2.5" Dial, Steel Capsule & Case	12c
BMT	Bi-Metal, 3" & 5" Dial Stainless Case	13c
LZAT	Transmitters	14c/15c
LDPG-30	Digital Gauge	16c-18c
GV	Gauge Isolators, Gauge Shutoff	19c
LGS, SIP, HDS, MS	Siphons, Chemical Seals, Gauge Snubber	20c
	Gauge Options	21c
	Custom Dials, Website, Technical Bulletin	22c

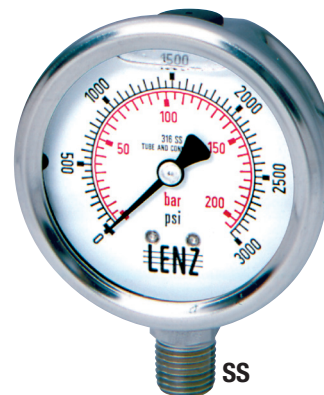
# Built For SUPERIOR Performance



**BAC**



**AFC**



**SS**

Lenz offers you a pressure gauge that gives extra long life and superior performance under the most difficult job conditions.

The Lenz Series Glycerin-Filled Gauges offer you the finest choice in gauges where severe pulsation, vibration and corrosive atmosphere are factors. The glycerin serves to permanently lubricate and prevent corroding of the movement, effectively dampens pulsation and vibration to the degree that there is no pointer flutter or oscillation. Completely sealed . . . steam, gas or any fluids are kept out, there is never any condensation and clear visibility of the dial is always assured.

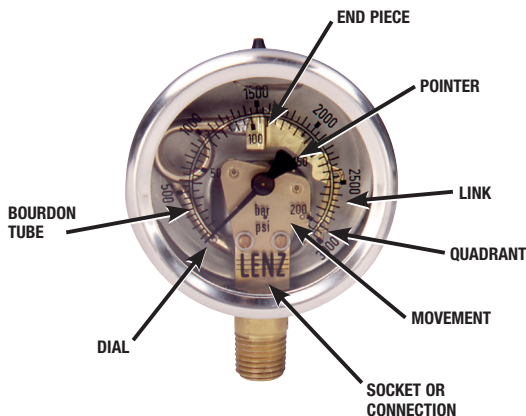
These gauges will last years and years longer than ordinary gauges and provide accurate and positive reading at all times. The built-in dampening mechanism requires no adjustment after installation . . . there is nothing better.

While principally offered to the hydraulics field, these gauges have many other applications in refineries, petrochemicals, and in many manufacturing industries.

Rugged, accurate and dependable, these Lenz pressure gauges promise the reliable, long-term service and performance required by today's diversified needs.

## Outstanding Features of Lenz Pressure Gauges

- *Glycerin or Silicone should not be used in applications involving oxidizing media such as oxygen, chlorine, nitric acid, hydrogen peroxide and others, because of the danger of a spontaneous chemical reaction.*



### DIAL FACE

White coated aluminum face with black coated aluminum pointer.

### UNBREAKABLE LENS

Completely sealed unbreakable plexiglass lens gives long life under the most rugged conditions.

### BOURDON TUBE

Copper alloy up to 800 P.S.I. safety coiled copper alloy for 800 P.S.I. and higher.

### BOURDON TUBE 4" GAUGE

Copper alloy up to 1500 P.S.I. safety coiled alloy steel, 1500 P.S.I. and higher.

### SERVICE

In case blow-out plug operation is necessary, the gauge can be serviced in the field for refilling glycerin.

### SUPERIOR BRASS MOVEMENT

Precision machined and highly finished bearing surfaces are practically frictionless providing dependable accuracy. The movement of all internal parts is permanently sealed and dampened by the glycerin fluid. The effects of pulsation and vibration are virtually eliminated. No pointer flutter.

### SAFETY BLOW-OUT PLUG

A rubber disc relief valve, located on top of the gauge, vents case pressure build-up at 5 P.S.I.. Acts as a filler cap.

### RESTRICTOR

Assists in dampening, acts much like a pressure snubber.

### INDIVIDUALLY PACKED

Boxed in rugged corrugated mailer type boxes for protection during shipping or on the shelf.

### HOW TO SELECT THE PROPER GAUGE-

*The proper gauge for your application should read at least 60% above the maximum pressure of the system so that the maximum reading would be approximately in the middle of the dial.*

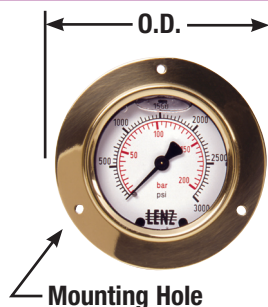
*To order a gauge: (1) Select the type of gauge; (2) Choose the dial size; (3) Determine the pressure range from appropriate table; (4) Give correct model number from same tables; (5) Add suffix "FF" for Brass Front Flange, "FFC" for Chrome Front Flange and "UC" for U-Clamp to Model Number.*

### FRONT FLANGES

Flanges ordered with gauge are installed at factory. May be purchased separately and added at a later date.

Dimensions: For 2 1/2" Gauge Flange - (3) 9/64" Holes On 2 15/16" Bolt Circle, 3 5/16" O.D.

Dimensions: For 4" Gauge Flange - (3) 3/16" Holes On 4 9/16" Bolt Circle, 5 3/16" O.D.





## BAC-25 Brass Case

Dial Size: 2 1/2" Glycerin Filled  
 Pressure Ranges: 30" HG to 15,000 P.S.I./Bar (Dual Scale)  
 Accuracy: Within 1.5% of Maximum Graduation  
 Case: Forged Brass With Polished Brass ABS  
 Bourdon Tube: Copper Alloy-Up to 800 P.S.I.  
 Safety Coiled Copper Alloy for 800 P.S.I. and Higher  
 Movement: Brass With Highly Finished Bearing Surfaces  
 Connection: 1/4" Male NPT Brass Bottom or Rear Center Connection  
 (Optional Threads See Page 19c)  
**Safety Blow-Out Plug Included.**  
**Restrictors Standard to Restrict Pulsations.**



"BAC-25"

### BAC-25 MOUNTING OPTIONS, ADD SUFFIX:

"FF" for Brass Front Flange - Example: BAC-5M-25RC-FF  
 "FFC" for Chrome Front Flange - Example: BAC-160-25RC-FFC  
 "UC" for U-Clamp - Example: BAC-3M-25RC-UC  
 "MID" Maximum Indicating Dial available for BAC Series see page 18c.

BAC-25 Series Brass Case, glycerin filled are designed for rugged application due to the bourdon tube being brazed to the one-piece brass case/ socket. LENZ Brass pressure gauges are known for their reliability in the field where vibrations and pulsation can occur.

STD. BOTTOM MOUNT MODEL NUMBER	REAR CENTER MOUNT MODEL NUMBER	FULL RANGE		FIGURE INTERVAL		GRADUATION INTERVAL	
		ENGLISH P.S.I.	METRIC BAR	P.S.I.	BAR	P.S.I.	BAR
BAC-15-25	BAC-15-25RC	0-15	0-1	3	.2	.25	.02
BAC-30-25	BAC-30-25RC	0-30	0-2	5	.5	.5	.05
BAC-60-25	BAC-60-25RC	0-60	0-4	10	1	1	.1
BAC-100-25	BAC-100-25RC	0-100	0-7	20	1	2	.2
BAC-160-25	BAC-160-25RC	0-160	0-10	20	2	2	.2
BAC-200-25	BAC-200-25RC	0-200	0-14	20	2	4	.2
BAC-300-25	BAC-300-25RC	0-300	0-20	50	5	5	.5
BAC-400-25	BAC-400-25RC	0-400	0-28	50	5	5	.5
BAC-500-25	BAC-500-25RC	0-500	0-35	100	10	5	.5
*BAC-600-25	BAC-600-25RC	0-600	0-42	100	10	10	1
BAC-800-25	BAC-800-25RC	0-800	0-56	100	10	10	1
*BAC-1M-25	BAC-1M-25RC	0-1000	0-70	200	10	10	2
BAC-1500-25	BAC-1500-25RC	0-1500	0-100	300	20	25	2
*BAC-2M-25	BAC-2M-25RC	0-2000	0-140	400	20	25	2
*BAC-3M-25	BAC-3M-25RC	0-3000	0-210	500	50	50	5
*BAC-5M-25	BAC-5M-25RC	0-5000	0-350	1000	50	100	5
BAC-6M-25	BAC-6M-25RC	0-6000	0-420	1000	100	100	10
BAC-7500-25	BAC-7500-25RC	0-7500	0-510	1000	100	100	10
BAC-10M-25	—	0-10000	0-700	2000	200	200	10
BAC-15M-25	BAC-15M-25RC	0-15000	0-1000	3000	200	500	50

\*S.A.E. 7/16"-20 connection in stock

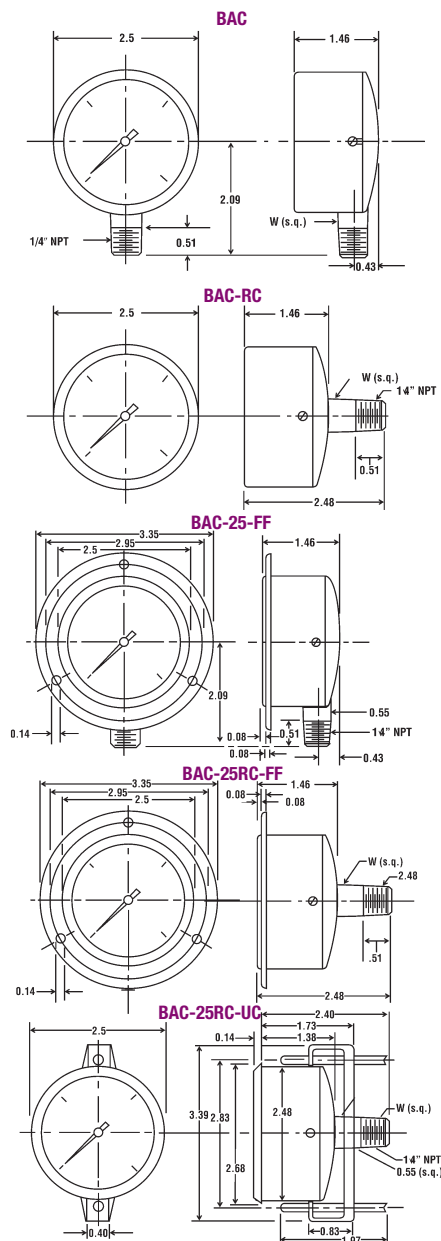
## 2 1/2" Glycerin-Filled Dual Scale Vacuum Gauges

STD. BOTTOM MOUNT MODEL NUMBER	REAR CENTER MOUNT MODEL NUMBER	FULL RANGE		FIGURE INTERVAL		GRADUATION INTERVAL	
		ENGLISH HG	METRIC BAR	HG	BAR	HG	BAR
BAC-30HG-25	BAC-30HG-25RC	0-30"	0-1	5	.2	1	.02

## Compound Gauges-Vacuum to Pressure

Use where pressures may vary from above atmospheric to below atmospheric.

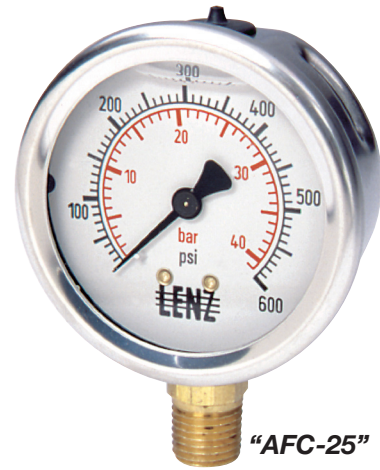
STD. BOTTOM MOUNT MODEL NUMBER	REAR CENTER MOUNT MODEL NUMBER	FULL RANGE		FIGURE INTERVAL	
		ENGLISH HG & P.S.I.	METRIC BAR	HG & P.S.I.	BAR
BAC-30-15-25	BAC-30-15-25RC	30"-0-15	-1-0-1	10" & 5	.2 & .2
BAC-30-30-25	BAC-30-30-25RC	30"-0-30	-1-0-2	10" & 10	1 & 1
BAC-30-60-25	BAC-30-60-25RC	30"-0-60	-1-0-4	10" & 10	1 & 1
BAC-30-100-25	BAC-30-100-25RC	30"-0-100	-1-0-7	30" & 20	1 & 1
BAC-30-160-25	BAC-30-160-25RC	30"-0-160	-1-0-10	30" & 20	1 & 2
BAC-30-200-25	BAC-30-200-25RC	30"-0-200	-1-0-14	30" & 40	1 & 2





## AFC-25 Stainless Steel Case

Dial Size: 2 1/2" Glycerin Filled  
 Pressure Ranges: 30" HG to 15,000 P.S.I./Bar (Dual Scale)  
 Accuracy: Within 2.0% of Maximum Graduation  
 Case: 304SS Stainless Steel  
 Bourdon Tube: Phosphor Bronze  
 Movement: Brass with Highly Finished Bearing Surfaces  
 Connection: 1/4" Male NPT Brass Bottom or Rear Center Connection  
 (Optional Threads See Page 19c)



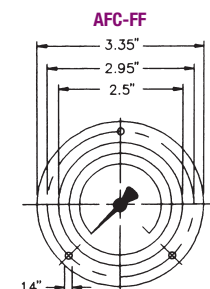
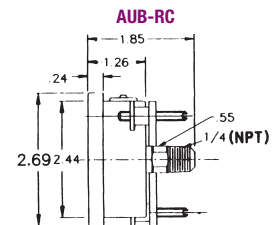
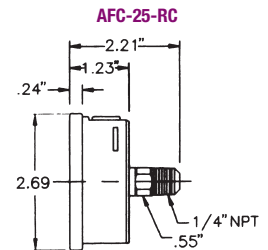
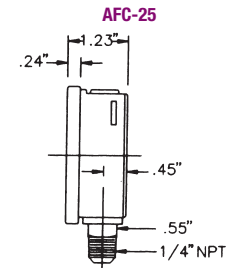
"AFC-25"

**Safety Blow-Out Plug Included/Restrictors Standard**  
**AFC-25RC (REAR CENTER) MOUNTING OPTIONS, ADD SUFFIX:**  
 "FF" for Polished Stainless Steel Front Flange - Example: AFC-5M-25RC-FF  
 "U-Clamp" Models, Model Number Changes to "AUB" - See Chart Below  
 "MID" Maximum Indicating Dial available for AFC Series see page 18c.

Lenz's AFC-25 Series Pressure Gauges feature a stainless steel case, brass stem, glycerin filled which are ideal for severe pulsation, vibration and where corrosive atmospheres are a factor. These Lenz pressure gauges are perfect for the original equipment manufacturers (O.E.M.) and other hydraulic and pneumatic equipment due to being cost effective.

STD.. BOTTOM MOUNT MODEL NUMBER	REAR CENTER MOUNT MODEL NUMBER	PANEL MOUNT U-CLAMP MODEL NUMBER	FULL RANGE		FIGURE INTERVAL		GRADUATION INTERVAL	
			ENGLISH P.S.I.	METRIC BAR	P.S.I.	BAR	P.S.I.	BAR
AFC-15-25	AFC-15-25RC	AUB-15-25RC	0-15	0-1	3	.2	.25	.02
AFC-30-25	AFC-30-25RC	AUB-30-25RC	0-30	0-2	5	.5	.5	.5
AFC-60-25	AFC-60-25RC	AUB-60-25RC	0-60	0-4	10	1	1	.1
AFC-100-25	AFC-100-25RC	AUB-100-25RC	0-100	0-7	20	2	2	.1
AFC-160-25	AFC-160-25RC	AUB-160-25RC	0-160	0-10	20	2	2	.2
AFC-200-25	AFC-200-25RC	AUB-200-25RC	0-200	0-14	40	4	4	.4
AFC-300-25	AFC-300-25RC	AUB-300-25RC	0-300	0-20	50	5	5	.5
AFC-400-25	AFC-400-25RC	AUB-400-25RC	0-400	0-28	50	5	5	.5
AFC-500-25	AFC-500-25RC	AUB-500-25RC	0-500	0-35	100	5	10	.5
AFC-600-25	AFC-600-25RC	AUB-600-25RC	0-600	0-40	100	10	10	1
AFC-800-25	AFC-800-25RC	AUB-800-25RC	0-800	0-56	100	10	10	1
AFC-1M-25	AFC-1M-25RC	AUB-1M-25RC	0-1000	0-70	200	20	20	1
AFC-1500-25	AFC-1500-25RC	AUB-1500-25RC	0-1500	0-100	300	20	50	5
AFC-2M-25	AFC-2M-25RC	AUB-2M-25RC	0-2000	0-140	400	40	40	4
*AFC-3M-25	AFC-3M-25RC	AUB-3M-25RC	0-3000	0-210	500	50	50	5
AFC-4M-25	AFC-4M-25RC	AUB-4M-25RC	0-4000	0-300	500	50	50	5
*AFC-5M-25	AFC-5M-25RC	AUB-5M-25RC	0-5000	0-350	1000	100	100	10
*AFC-6M-25	AFC-6M-25RC	AUB-6M-25RC	0-6000	0-420	1000	100	100	10
AFC-7500-25	AFC-7500-25RC	AUB-7500-25RC	0-7500	0-420	1000	100	100	10
AFC-10M-25	AFC-10M-25RC	AUB-10M-25RC	0-10000	0-700	2000	200	200	10
AFC-15M-25	AFC-15M-25RC	AUB-15M-25RC	0-15000	0-1000	3000	200	500	50

\* S.A.E. Connection Stock



## 2 1/2" Stainless Case-Brass Movement Compound Gauges

STD. BOTTOM MOUNT MODEL NUMBER	REAR CENTER MOUNT MODEL NUMBER	PANEL MOUNT CLAMP REAR CENTER MOUNT MODEL NUMBER	FULL RANGE		FIGURE INTERVAL	
			ENGLISH HG & P.S.I.	METRIC BAR	ENGLISH HG & P.S.I.	METRIC BAR
AFC-30-30-25	AFC-30-30-25RC	AUB-30-30-25RC	30"-0-30	-1-0-2	10" & 10	1 & 1
AFC-30-60-25	AFC-30-60-25RC	AUB-30-60-25RC	30"-0-60	-1-0-4	10" & 10	1 & 1
AFC-30-100-25	AFC-30-100-25RC	AUB-30-100-25RC	30"-0-100	-1-0-7	30" & 20	1 & 1
AFC-30-200-25	AFC-30-200-25RC	AUB-30-200-25RC	30"-0-200	-1-0-14	30" & 40	1 & 2

## 2 1/2" Stainless Case-Brass Movement Vacuum Gauges

STD. BOTTOM MOUNT MODEL NUMBER	REAR CENTER MOUNT MODEL NUMBER	PANEL MOUNT CLAMP REAR CENTER MOUNT MODEL NUMBER	FULL RANGE		FIGURE INTERVAL		GRADUATION INTERVAL	
			ENGLISH HG	METRIC BAR	ENGLISH HG	BAR	ENGLISH HG	BAR
AFC-30HG-25	AFC-30HG-25RC	AUB-30HG-25RC	0-30"	0-1	5	.2	1	.02

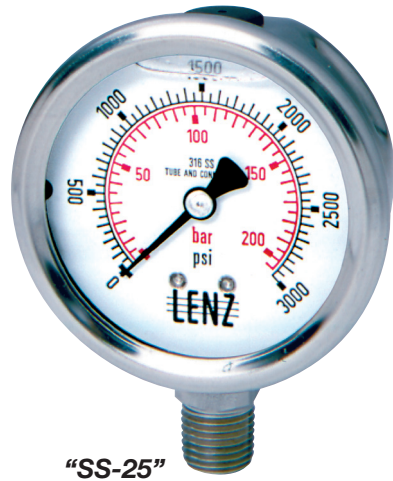


## SS-25 Stainless Steel Case-Stainless Movement

**Dial Size:** 2 1/2" Glycerin Filled  
**Pressure Ranges:** 30" HG to 15,000 P.S.I./Bar (Dual Scale)  
**Accuracy:** Within 2% of the first quarter of scale  
 1% for the next one half of scale  
 2% for the last quarter of scale

**Case:** Stainless Steel  
**Bourdon Tube:** 316 Stainless Steel  
**Movement:** 316 Stainless Steel with Highly Polished Bearing Surfaces  
**Connection:** 1/4" Male NPT, 316 Stainless Steel  
**Safety Blow-Out Plug Included**  
**Restrictors Standard**

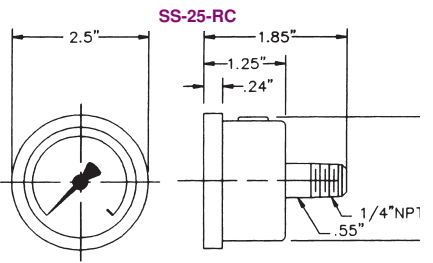
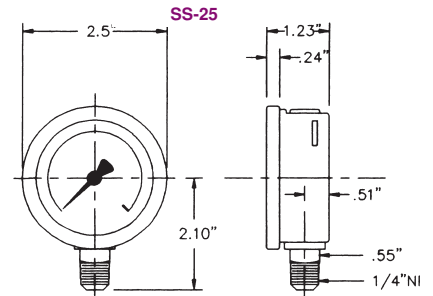
**SS-25-RC (REAR CENTER) MOUNTING OPTIONS, ADD SUFFIX:**  
**"FF"** for Polished Stainless Steel Front Flange - Example: SS-1M-25RC-FF  
**"UC"** for Stainless Steel U-Clamp - Example: SS-3M-25RC-UC  
**"MID"** Maximum Indicating Dial available for SS Series see page 18c.



"SS-25"

**SS-25 Series All Stainless Steel Pressure Gauges** feature a stainless steel case, 316 stainless steel bourdon tube and stem, glycerin filled for severe punishment and years of service in the field.

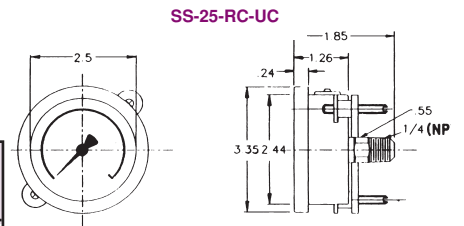
STD. BOTTOM MOUNT MODEL NUMBER	REAR CENTER MOUNT MODEL NUMBER	FULL RANGE		FIGURE INTERVAL		GRADUATION INTERVAL	
		ENGLISH P.S.I.	METRIC BAR	P.S.I.	BAR	P.S.I.	BAR
SS-30-25	SS-30-25RC	0-30	0-2	5	.5	.5	.05
SS-60-25	SS-60-25RC	0-60	0-4	10	1	1	.1
SS-100-25	SS-100-25RC	0-100	0-7	20	2	2	.1
SS-160-25	SS-160-25RC	0-160	0-10	20	2	2	.2
SS-200-25	SS-200-25RC	0-200	0-14	40	4	4	.4
SS-300-25	SS-300-25RC	0-300	0-20	50	5	5	.5
SS-600-25	SS-600-25RC	0-600	0-40	100	10	10	1
SS-1M-25	SS-1M-25RC	0-1000	0-70	200	20	20	1
SS-1500-25	SS-1500-25RC	0-1500	0-100	300	20	50	5
SS-2M-25	SS-2M-25RC	0-2000	0-140	400	40	40	4
SS-3M-25	SS-3M-25RC	0-3000	0-210	500	50	50	5
SS-5M-25	SS-5M-25RC	0-5000	0-350	1000	100	100	10
SS-6M-25	SS-6M-25RC	0-6000	0-420	1000	100	100	10
SS-10M-25	SS-10M-25RC	0-10000	0-700	2000	200	200	10
SS-15M-25	SS-15M-25RC	0-15000	0-1000	3000	200	500	50



## 2 1/2" Stainless Steel

**Compound Gauges ■ Standard Ranges**  
 Use where pressures may vary from above atmospheric to below atmospheric.

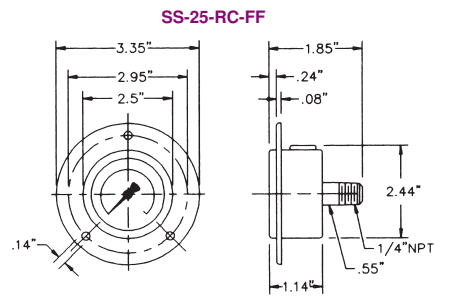
STD. BOTTOM MOUNT MODEL NUMBER	REAR CENTER MOUNT MODEL NUMBER	FULL RANGE		FIGURE INTERVAL	
		ENGLISH HG & P.S.I.	METRIC BAR	ENGLISH HG & P.S.I.	METRIC BAR
SS-30-30-25	SS-30-30-25RC	30"-0-30	-1-0-2	10" & 10	1 & 1
SS-30-60-25	SS-30-60-25RC	30"-0-60	-1-0-4	10" & 10	1 & 1
SS-30-160-25	SS-30-160-25RC	30"-0-160	-1-0-10	30" & 20	1 & 2



## Vacuum Gauges

Use where pressures may vary from above atmospheric to below atmospheric.

STD. BOTTOM MOUNT MODEL NUMBER	FULL RANGE		FIGURE INTERVAL		GRADUATION INTERVAL	
	ENGLISH HG	METRIC BAR	HG	BAR	HG	BAR
SS-30HG-25	0-30"	0-1	5"	2	1"	.02
SS-30HG-25RC	0-30"	0-1	5	2	1	.02



DIMENSIONS IN INCHES



## AFC-20 Stainless Steel Case

- Dial Size: 2" Glycerin Filled
- Pressure Ranges: 30" HG to 5,000 P.S.I./Bar (Dual Scale)
- Accuracy: Within 2.0% of Maximum Graduation
- Case: Stainless Steel
- Bourdon Tube: Phosphor Bronze
- Movement: Brass with Highly Polished Bearing Surfaces
- Connection: 1/8" Standard and (1/4" NPT, Optional)  
Bottom Connection or Rear Center
- Safety Blow-Out Plug Included / Restrictors Standard

### AFC-20-RC MOUNTING OPTIONS, ADD SUFFIX:

"FF" for Polished Stainless Steel Front Flange

Example: AFC-160-20RC-FF

"U-Clamp" Models, Model Number Changes to "AUB"



"AFC-20RC"

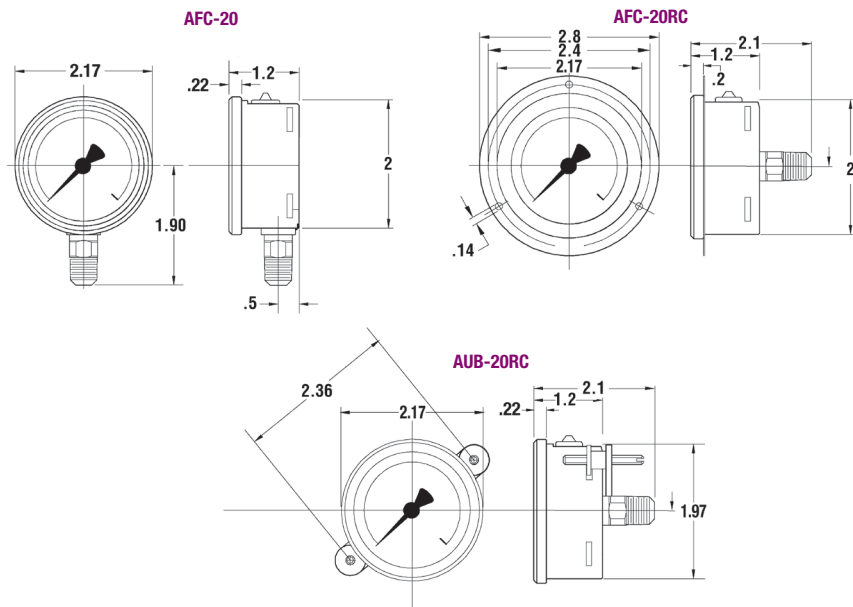


"AFC-20"

### AFC-20 Series Stainless Steel Pressure Gauges

Lenz introduces a new 2" dial glycerin filled pressure gauge with features that include stainless steel case and brass stem which is suitable for hydraulic equipment including pumps & compressors where high vibration exist. The glycerin fill acts as a lubricant, prevents corrosion of the movement, dampens pulsation and vibration to eliminate pointer flutter or oscillation.

BOTTOM MOUNT MODEL NUMBER	REAR CENTER MOUNT MODEL NUMBER	PANEL MOUNT U-CLAMP MODEL NUMBER	FULL RANGE INTERVAL		FIGURE INTERVAL		GRADUATION INTERVAL	
			METRIC P.S.I.	INTERVAL BAR	P.S.I.	BAR	P.S.I.	BAR
AFC-30HG-20	AFC-30HG-20RC	AUB-30HG-20RC	0-30"HG	0-1	5"HG	.2	1"HG	.02
AFC-15-20	AFC-15-20RC	AUB-15-20RC	0-15	0-1	3	.2	.25	.02
AFC-30-20	AFC-30-20RC	AUB-30-20RC	0-30	0-2	5	.5	.05	.05
AFC-60-20	AFC-60-20RC	AUB-60-20RC	0-60	0-4	10	1	1	.1
AFC-100-20	AFC-100-20RC	AUB-100-20RC	0-100	0-7	20	2	2	.2
AFC-160-20	AFC-160-20RC	AUB-160-20RC	0-160	0-10	20	2	2	.2
AFC-200-20	AFC-200-20RC	AUB-200-20RC	0-200	0-14	40	4	4.2	.2
AFC-300-20	AFC-300-20RC	AUB-300-20RC	0-300	0-20	50	5	5	.5
AFC-600-20	AFC-600-20RC	AUB-600-20RC	0-600	0-40	100	10	10	1
AFC-1M-20	AFC-1M-20RC	AUB-1M-20RC	0-1000	0-70	200	20	20	2
AFC-2M-20	AFC-2M-20RC	AUB-2M-20RC	0-2000	0-140	400	40	25	2
AFC-3M-20	AFC-3M-20RC	AUB-3M-20RC	0-3000	0-210	500	50	50	5
AFC-5M-20	AFC-5M-20RC	AUB-5M-20RC	0-5000	0-350	1000	100	100	5





## LZ-15 & LZ-20 ABS Case

Dial Size: 1 1/2" / 2" Dry Case

Pressure Ranges: 30" HG to 200 P.S.I. (Single Scale)

Accuracy: Within 2% of Maximum Graduation

Case: ABS (Acrylnitril Butadein Styrol)

Bourdon Tube: Phosphor Bronze

Movement: Brass with Highly Polished Bearing Surfaces

Connection: 1/8" Brass Bottom or Rear Center Mount

(Optional Threads See Page 19c)

**LZ-20-RC MOUNTING OPTIONS, ADD SUFFIX:**

"FFC" for Chrome Front Flange available only on 2"

Example: LZ-160-20RC-FF



"LZ-15 & LZ-20"

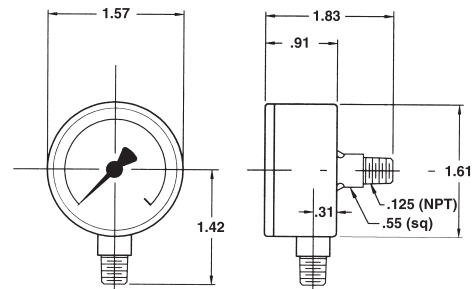
### LZ-15 & LZ-20 Series ABS Case Pressure Gauges

LENZ 1 1/2" & 2" ABS Case Pressure Gauges are perfect for hydraulic and pneumatic equipment. These cost effective pressure gauges are designed where space constraints are a problem.

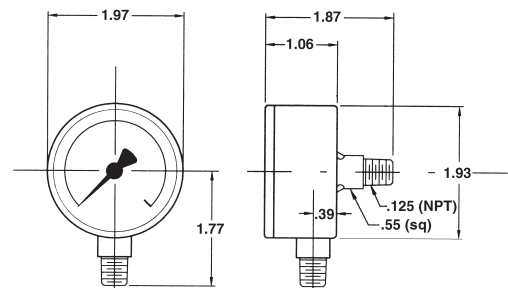
STD. BOTTOM MOUNT MODEL NUMBER	REAR CENTER MOUNT MODEL NUMBER	FULL RANGE ENGLISH		FIGURE METRIC INTERVAL		GRADUATION INTERVAL	
		P.S.I.	BAR	P.S.I.	BAR	P.S.I.	BAR
LZ-30HG-15	LZ-30HG-15RC	0-30"HG	0-1	5"HG	.2	1"HG	.02
LZ-15-15	LZ-15-15RC	0-15	0-1	3	.2	.25	.02
LZ-30-15	LZ-30-15RC	0-30	0-2	5	.5	.5	.05
LZ-60-15	LZ-60-15RC	0-60	0-4	10	1	1	.1
LZ-100-15	LZ-100-15RC	0-100	0-7	20	2	2	.1
LZ-160-15	LZ-160-15RC	0-160	0-10	20	2	2	.2
LZ-200-15	LZ-200-15RC	0-200	0-14	40	4	4	.4

STD. BOTTOM MOUNT MODEL NUMBER	REAR CENTER MOUNT MODEL NUMBER	FULL RANGE ENGLISH		FIGURE METRIC INTERVAL		GRADUATION INTERVAL	
		P.S.I.	BAR	P.S.I.	BAR	P.S.I.	BAR
LZ-30HG-20	LZ-30HG-20RC	0-30"HG	0-1	5"HG	.2	1"HG	.02
LZ-15-20	LZ-15-20RC	0-15	0-1	3	.2	.25	.02
LZ-30-20	LZ-30-20RC	0-30	0-2	5	.5	.5	.05
LZ-60-20	LZ-60-20RC	0-60	0-4	10	1	1	.1
LZ-100-20	LZ-100-20RC	0-100	0-7	20	2	2	.1
LZ-160-20	LZ-160-20RC	0-160	0-10	20	2	2	.2
LZ-200-20	LZ-200-20RC	0-200	0-14	40	4	4	.4

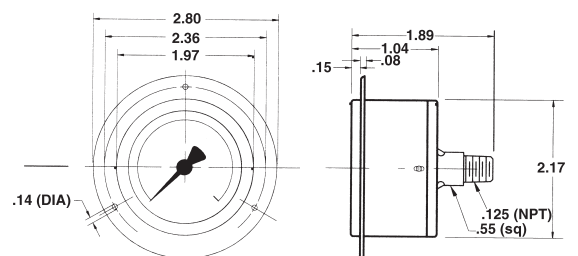
LZ-15/LZ-15RC



LZ-20/LZ-20RC



LZ-20RC-FF



**"How do you Gauge your Success"**

**"Visit us online @www.lenzinc.com today and see just how easy ordering our products can be."**







## LZ-25 Steel Case

Dial Size: 2 1/2" Dry Case  
 Pressure Ranges: 30" HG to 6,000 P.S.I./Bar (Dual Scale)  
 Accuracy: Within 2.0% of Maximum Graduation  
 Case: Black Steel  
 Bourdon Tube: Phosphor Bronze  
 Movement: Brass  
 Connection: 1/4" Male NPT Brass Bottom or Rear Center Connection  
 (Optional Threads See Page 19c)  
 Restrictors Standard:

### LZ-25/ LZ-25-RC MOUNTING OPTIONS, ADD SUFFIX:

"FF" for Chrome Front Flange - Example: LZ-160-25RC-FF

"UC" for Panel Mount option - Example: LU-160-25RC

Glass Lens Available.

"MID" Maximum Indicating Dial available for LZ Series see page 18c.



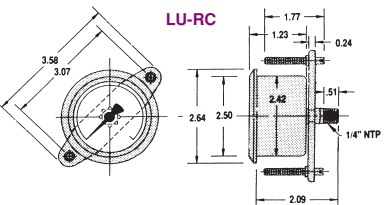
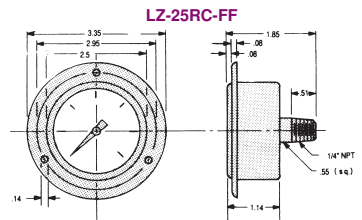
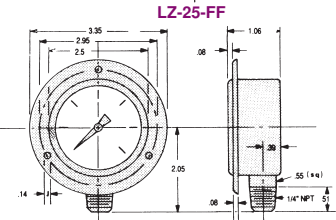
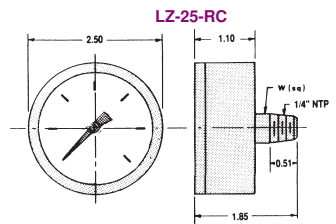
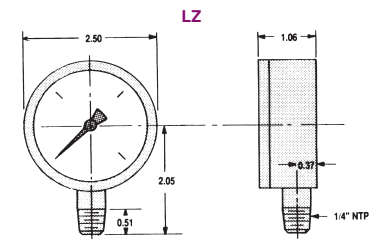
"LZ-25"

### LZ-25 Series Steel Case Pressure Gauges

LENZ 2 1/2" Steel Case Pressure Gauges are perfect for hydraulic and pneumatic equipment.

These cost effective pressure gauges are designed where space constraints are a problem.

STD. BOTTOM MOUNT MODEL NUMBER	REAR CENTER MOUNT MODEL NUMBER	PANEL MOUNT U-CLAMP REAR CENTER MOUNT MODEL NUMBER	FULL RANGE		FIGURE INTERVAL		GRADUATION INTERVAL	
			ENGLISH P.S.I.	METRIC BAR	P.S.I.	BAR	P.S.I.	BAR
LZ-15-25	LZ-15-25RC	LU-15-25RC	0-15	0-1	3	.2	.25	.02
LZ-30-25	LZ-30-25RC	LU-30-25RC	0-30	0-2	5	.5	.5	.05
LZ-60-25	LZ-60-25RC	LU-60-25RC	0-60	0-4	10	1	1	.1
LZ-100-25	LZ-100-25RC	LU-100-25RC	0-100	0-7	20	2	2	.1
LZ-160-25	LZ-160-25RC	LU-160-25RC	0-160	0-10	20	2	2	.2
LZ-200-25	LZ-200-25RC	LU-200-25RC	0-200	0-14	40	4	4	.4
LZ-300-25	LZ-300-25RC	LU-300-25R	0-300	0-20	50	5	5	.5
LZ-400-25	LZ-400-25RC	LU-400-25RC	0-400	0-28	50	5	5	.5
LZ-600-25	LZ-600-25RC	LU-600-25RC	0-600	0-42	100	10	10	1
LZ-1M-25	LZ-1M-25RC	LU-1M-25RC	0-1000	0-70	100	20	20	1
LZ-1500-25	LZ-1500-25RC	LU-1500-25RC	0-1500	0-100	300	20	50	5
LZ-2M-25	LZ-2M-25RC	LU-2M-25RC	0-2000	0-140	400	40	40	4
LZ-3M-25	LZ-3M-25RC	LU-3M-25RC	0-3000	0-210	600	50	50	5
LZ-5M-25	LZ-5M-25RC	LU-5M-25RC	0-5000	0-350	1000	100	100	10
LZ-6M-25	LZ-6M-25RC	LU-6M-25RC	0-6000	0-420	1000	100	100	10



DIMENSIONS IN INCHES

## Vacuum Gauges

STD. BOTTOM MOUNT MODEL NUMBER	REAR CENTER MOUNT MODEL NUMBER	FULL RANGE		FIGURE INTERVAL		GRADUATION INTERVAL	
		ENGLISH HG	METRIC BAR	HG	BAR	HG	BAR
LZ-30HG-25	LZ-30HG-25RC	0-30"	0-1	5	.2	1	.02

## Compound Gauges

Use where pressures may vary from above atmospheric to below atmospheric.

STD. BOTTOM MOUNT MODEL NUMBER	REAR CENTER MOUNT MODEL NUMBER	FULL RANGE		FIGURE INTERVAL	
		ENGLISH HG	METRIC BAR	HG	BAR
LZ-30-15-25	LZ-30-15-25RC	30"-0-15	-1-0-1	10" & 5	.2 & .2
LZ-30-30-25	LZ-30-30-25RC	30"-0-30	-1-0-2	10" & 10	1 & 1
LZ-30-60-25	LZ-30-60-25RC	30"-0-60	-1-0-4	10" & 10	1 & 1
LZ-30-100-25	LZ-30-100-25RC	30"-0-100	-1-0-7	30" & 20	1 & 1
LZ-30-160-25	LZ-30-160-25RC	30"-0-160	-1-0-10	30" & 20	1 & 2
LZ-30-200-25	LZ-30-200-25RC	30"-0-200	-1-0-14	30" & 40	1 & 2



## BAC-4 Brass Case

**Dial Size:** 4" Glycerin Filled

**Pressure Ranges:** 30" HG to 15,000 P.S.I./Bar (Dual Scale)

**Accuracy:** Within 1.5% of Maximum Graduation

**Case:** Forged Brass Chrome Plated

**Bourdon Tube:** Copper Alloy - Up to 1500 P.S.I.

Safety Coiled Alloy Steel for 1500 P.S.I. and Higher

**Movement:** Brass With Highly Finished Bearing Surfaces

**Connection:** 1/2" Male NPT Brass Bottom or rear lower connection

(Optional 1/4" Available)

(Optional Threads See Page 19c)

**Safety Blow-Out Plug Included.**

**Restrictors Standard to Restrict Pulsations.**

### BAC-4/ BAC-4-RL MOUNTING OPTIONS, ADD SUFFIX:

"FF" for Chrome Front Flange - Example: BAC-5M-4RL-FF

"UC" for U-Clamp - Example: BAC-3M-4RL-UC

"RF" for Chrome Rear Flange - Example: BAC-1500-4RF

"MID" Maximum Indicating Dial available for BAC Series see page 18c.

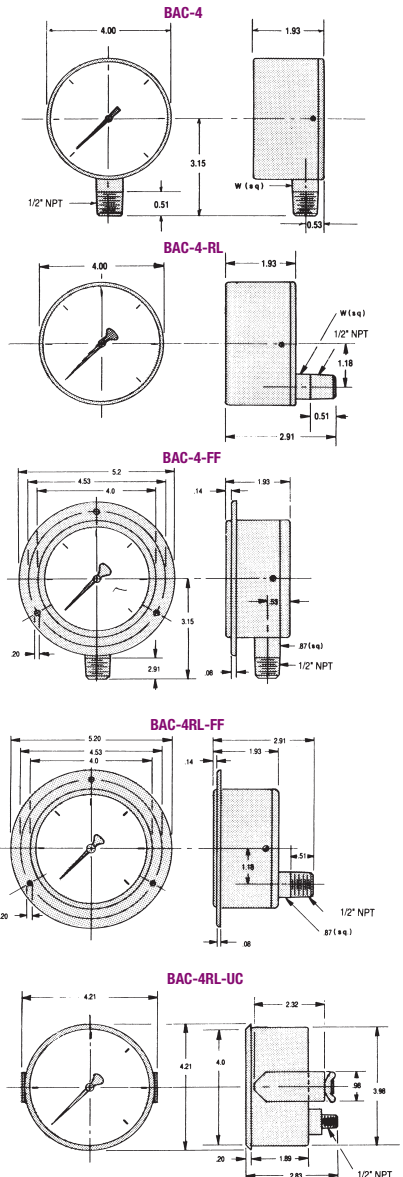


"BAC-4"

### BAC-4 Series Brass Case Pressure Gauges

LENZ all brass cases are designed for the most rugged applications due to the bourdon tube being brazed to the one-piece brass case/socket and are known for their reliability in the field where vibration and pulsation can occur.

STD. BOTTOM MOUNT MODEL NUMBER	REAR LOWER MOUNT MODEL NUMBER	FULL RANGE		FIGURE INTERVAL		GRADUATION INTERVAL	
		ENGLISH P.S.I.	METRIC BAR	P.S.I.	BAR	P.S.I.	BAR
BAC-30HG-4	BAC-30HG-4RL	0-30"HG	0-1	5"HG	.1	5"HG	.01
BAC-15-4	BAC-15-4RL	0-15	0-1	3	.1	.2	.01
BAC-30-4	BAC-30-4RL	0-30	0-2	5	.2	.5	.02
BAC-60-4	BAC-60-4RL	0-60	0-4	10	.5	1	.05
BAC-100-4	BAC-100-4RL	0-100	0-7	10	1	1	.1
BAC-160-4	BAC-160-4RL	0-160	0-10	20	1	2	.1
BAC-200-4	BAC-200-4RL	0-200	0-14	20	2	2	.2
BAC-300-4	BAC-300-4RL	0-300	0-20	50	2	5	.2
BAC-400-4	BAC-400-4RL	0-400	0-28	50	5	5	.2
BAC-600-4	BAC-600-4RL	0-600	0-42	100	5	10	.5
BAC-800-4	BAC-800-4RL	0-800	0-56	100	5	10	.5
BAC-1M-4	BAC-1M-4RL	0-1000	0-70	100	10	10	1
BAC-1500-4	BAC-1500-4RL	0-1500	0-100	300	10	20	1
BAC-2M-4	BAC-2M-4RL	0-2000	0-140	200	20	20	2
BAC-3M-4	BAC-3M-4RL	0-3000	0-210	500	20	50	2
BAC-5M-4	BAC-5M-4RL	0-5000	0-350	500	50	50	5
BAC-10M-4	BAC-10M-4RL	0-10000	0-700	1000	100	100	10
BAC-15M-4	BAC-15M-4RL	0-15000	0-1000	3000	100	200	10





## AFC-4 Stainless Steel Case

- Dial Size: 4" Glycerin Filled
- Pressure Ranges: 30" HG to 15,000 P.S.I./Bar (Dual Scale)
- Accuracy: Within 2.0% of Maximum Graduation
- Case: Polished Stainless Steel Ring
- Bourdon Tube: Copper Alloy - Up to 1500 P.S.I.  
Safety Coiled Alloy Steel for 1500 P.S.I. and Higher
- Movement: Brass With Highly Finished Bearing Surfaces
- Connection: 1/4" Male NPT Brass Bottom or Rear Lower Connection  
*(Optional Threads See Page 19c)*
- Safety Blow-Out Plug Included
- Restrictors Standard to Restrict Pulsations.

### AFC-4-RL MOUNTING OPTIONS, ADD SUFFIX:

- "FF" for Polished Stainless Steel Front Flange - Example: AFC-5M-4RL-FF
- "UC" for U-Clamp - Example: AFC-3M-4RL-UC
- "RF" for Polished Stainless Steel Rear Flange

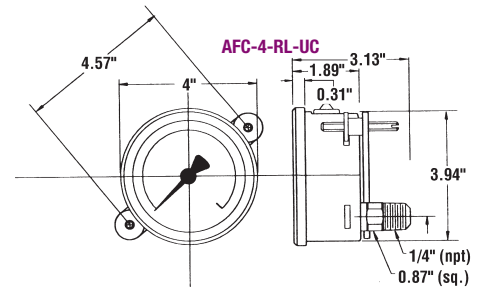
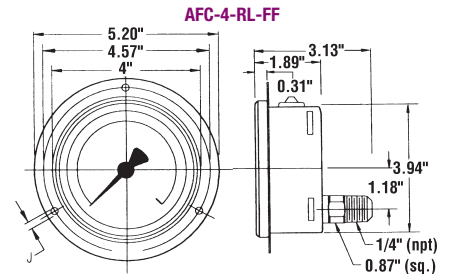
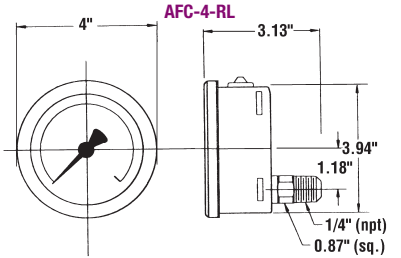
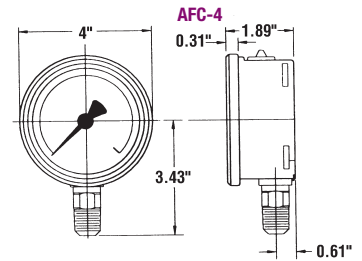


"AFC-4"

### AFC Series 4" Pressure Gauges

LENZ gauges have a 4" stainless steel case, are glycerin filled, with brass connection and are best suited for pumps, compressors, and hydraulic equipment where high vibration exists. The stainless steel case offers protection from corrosive environments as are found, for example, at chemical plants and petrochemical plants. The glycerin fill acts as a permanent lubricant, prevents corrosion of the movement, dampens pulsation and vibration to eliminate pointer flutter or oscillation.

STD. BOTTOM MOUNT MODEL NUMBER	REAR LOWER MOUNT MODEL NUMBER	FULL RANGE		FIGURE INTERVAL		GRADUATION INTERVAL	
		ENGLISH P.S.I.	METRIC BAR	P.S.I.	BAR	P.S.I.	BAR
AFC-30HG-4	AFC-30HG-4RL	0-30" HG	0-1	5"HG	.1	.5"HG	.01
AFC-15-4	AFC-15-4RL	0-15	0-1	3	.1	.2	.01
AFC-30-4	AFC-30-4RL	0-30	0-2	5	.2	.5	.02
AFC-60-4	AFC-60-4RL	0-60	0-4	10	.5	1	.05
AFC-100-4	AFC-100-4RL	0-100	0-7	10	1	1	.1
AFC-160-4	AFC-160-4RL	0-160	0-10	20	1	2	.1
AFC-200-4	AFC-200-4RL	0-200	0-14	20	2	2	.2
AFC-300-4	AFC-300-4RL	0-300	0-20	50	2	5	.2
AFC-400-4	—	0-400	0-28	50	5	5	.2
AFC-600-4	AFC-600-4RL	0-600	0-42	100	5	10	.5
AFC-800-4	AFC-800-4RL	0-800	0-56	100	5	10	.5
AFC-1M-4	AFC-1M-4RL	0-1000	0-70	100	10	10	1
AFC-1500-4	—	0-1500	0-100	300	10	20	1
AFC-2M-4	AFC-2M-4RL	0-2000	0-140	200	20	20	2
AFC-3M-4	AFC-3M-4RL	0-3000	0-210	500	20	50	2
AFC-5M-4	AFC-5M-4RL	0-5000	0-350	500	50	50	5
AFC-6M-4	AFC-6M-4RL	0-6000	0-350	1000	50	100	5
AFC-10M-4	—	0-10000	0-700	1000	100	100	10
AFC-15M-4	—	0-15000	0-1000	3000	100	200	10





## SS-4 Stainless Steel Case-Stainless Movement

- Dial Size: 4" Glycerin Filled
- Pressure Ranges: 30" HG to 15,000 P.S.I./Bar (Dual Scale)
- Accuracy: Within 1.0% of Maximum Graduation
- Case: 304SS Stainless Steel
- Bourdon Tube: 316 Stainless Steel
- Movement: 316 Stainless Steel with Highly Polished Bearing Surfaces
- Connection: 1/2" Male NPT, 316 Stainless Steel
- Safety Blow-Out Plug Included.
- Restrictors Standard.

### SS-4-RL MOUNTING OPTIONS, ADD SUFFIX:

"FF" for Polished Stainless Steel Front Flange - Example: SS-10M-4RL-FF

"UC" for Stainless Steel U-Clamp - Example: SS-3M-4RL-UC

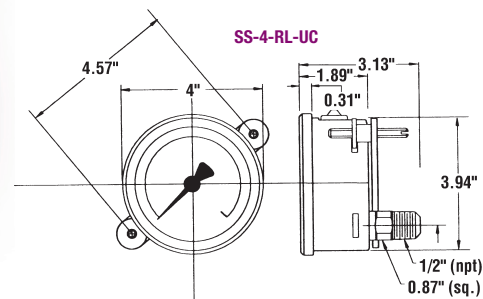
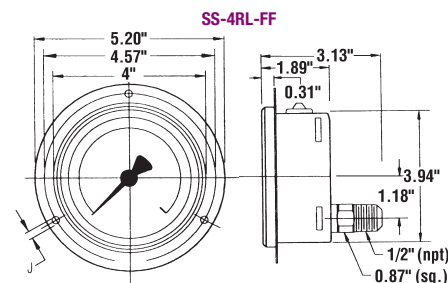
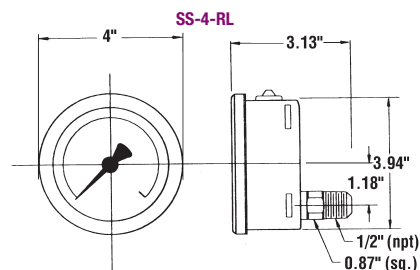
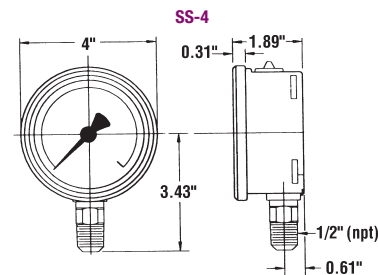
"RF" for Stainless Steel Rear Flange - Example: SS-1M-4RF



"SS-4"

SS-4 Series All Stainless Steel Pressure Gauges feature a stainless steel case, 316 stainless steel bourdon tube and stem, glycerin filled for severe punishment and years of service in the field. LENZ SS-4 series are highly accurate within 1% of full scale.

STD. BOTTOM MOUNT MODEL NUMBER	REAR LOWER MOUNT MODEL NUMBER	FULL RANGE		FIGURE INTERVAL		GRADUATION INTERVAL	
		ENGLISH P.S.I.	METRIC BAR	P.S.I.	BAR	P.S.I.	BAR
SS-30HG-4	SS-30HG-4RL	0-30" HG	0-1	5" HG	.1	.5 "HG	.01
SS-30-4	SS-30-4RL	0-30	0-2	5	.2	.5	.02
SS-60-4	SS-60-4RL	0-60	0-4	10	.5	1	.05
SS-100-4	SS-100-4RL	0-100	0-7	10	1	1	.1
SS-160-4	SS-160-4RL	0-160	0-10	20	1	2	.1
SS-300-4	SS-300-4RL	0-300	0-20	50	2	5	.2
SS-600-4	SS-600-4RL	0-600	0-42	100	5	10	.5
SS-1M-4	SS-1M-4RL	0-1000	0-70	100	10	10	1
SS-2M-4	SS-2M-4RL	0-2000	0-140	200	20	20	2
SS-3M-4	SS-3M-4RL	0-3000	0-210	500	20	50	2
SS-5M-4	SS-5M-4RL	0-5000	0-350	500	50	50	5
SS-6M-4	SS-6M-4RL	0-6000	0-420	1000	50	100	5
SS-10M-4	SS-10M-4RL	0-10000	0-700	1000	100	100	10
SS-15M-4	SS-15M-4RL	0-15000	0-1050	3000	100	200	10



*"Download Current Catalogs, Technical Bulletins & Data Sheets at our newly designed website: [www.lenzinc.com](http://www.lenzinc.com)"*



## PRO-45 Process ABS Case-Stainless Movement

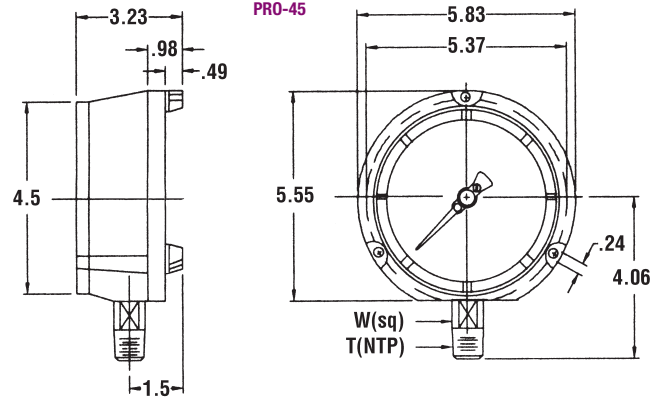
**Dial Size:** 4 1/2" Glycerin Filled  
**Pressure Ranges:** 30" HG to 30,000 P.S.I. (Single Scale)  
**Accuracy:** Within +/- 0.5% of Maximum Graduation  
**Case:** Fiberglass reinforced thermoplastic, black  
**Bourdon Tube:** Type 316 Stainless Steel  
**Movement:** Type 316 Stainless Steel  
**Connection:** 1/2" Male NPT, Type 316 Stainless Steel  
**Safety Blow-Out Back Case**  
**Restrictors Standard**



"PRO-45"

PRO-45 Series Process Gauges have been designed and manufactured to the highest standards for the chemical & petroleum industries to withstand vibration, corrosive media and environments, and a wide range of temperatures.

STD. BOTTOM MOUNT MODEL NUMBER	FULL RANGE ENGLISH P.S.I.	FIGURE INTERVAL P.S.I.	GRADUATION INTERVAL P.S.I.
PRO-30HG-45	0-30"HG	5"HG	1"HG
PRO-30-45	0-30	5	.5
PRO-60-45	0-60	10	1
PRO-100-45	0-100	10	1
PRO-160-45	0-160	20	2
PRO-300-45	0-300	50	5
PRO-600-45	0-600	100	10
PRO-1M-45	0-1000	100	10
PRO-2M-45	0-2000	200	20
PRO-3M-45	0-3000	500	20
PRO-5M-45	0-5000	1000	50
PRO-6M-45	0-6000	1000	50
PRO-10M-45	0-10000	1000	50
PRO-15M-45	0-15000	2000	100
PRO-20M-45	0-20000	2000	100
PRO-30M-45	0-30000	2000	100



## AMM-25 Refrigeration Ammonia Pressure Gauges

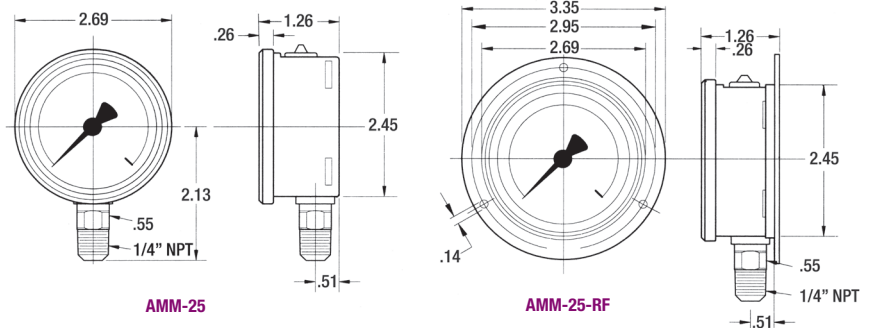
**Dial Size:** 2 1/2" (Dry Case)  
**Ranges:** 30" to 300 P.S.I./F (Dual Scale)  
**Accuracy:** Within 1.5% of Maximum Graduation  
**Case:** Stainless Steel  
**Movement:** 316 Stainless Steel  
**Connection:** 1/4" 316 Stainless Steel

LENZ Refrigeration Ammonia Gauges are suitable for refrigeration Ammonia and other liquid or gaseous media which are compatible with 316 stainless steel & will not contaminate the pressure system.

STANDARD BOTTOM MOUNT MODEL NUMBER	P.S.I./F
AMM-30-150-25	30"-150 P.S.I./84 F
AMM-30-300-25	30"-300 P.S.I./126 F



"AMM-25"





## LOW-25 Black Steel Case-Capsule Movement

Inches/Water Column

Dial Size: 2 1/2" Dry Case

Pressure Ranges: 15"H2O to 240"H2O/3 to 10 P.S.I.

Accuracy: Within 1.5% of Maximum Graduation

Case: Black Steel

Movement: Copper Alloy Capsule designed to measure low pressure

Connection: 1/4" Brass Bottom Mount or Rear Connection

Recalibration: Adjustment Screw on dial to re-zero pointer if necessary

### LOW-25 MOUNTING OPTIONS, ADD SUFFIX:

"FF" for Chrome Front Flange - Example: LOW-30H2O-25RC-FF

### LOW-25

LENZ Low pressure gauges are extremely sensitive and highly accurate.

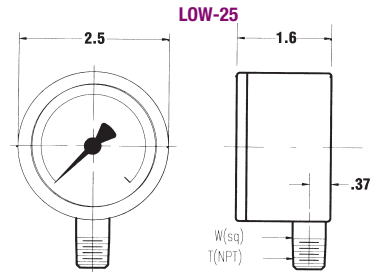
The copper alloy capsule is designed to measure pressure and vacuum of gaseous media from as low as 15"H2O to 240"H2O/3 to 10 P.S.I.



"LOW-25"

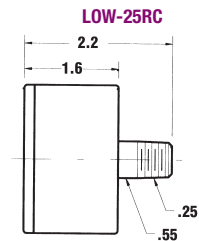
## Pressure Ranges (dual scale) (H2O/mm H2O)

STANDARD BOTTOM MOUNT MODEL NUMBER	REAR CENTER MOUNT MODEL NUMBER	Inches/H2O	mm/H2O
LOW-15H2O-25	LOW-15H2O-25RC	0-15	0-380
LOW-30H2O-25	LOW-30H2O-25RC	0-30	0-760
LOW-60H2O-25	LOW-60H2O-25RC	0-60	0-1500
LOW-100H2O-25	LOW-100H2O-25RC	0-100	0-2500
LOW-200H2O-25	LOW-200H2O-25RC	0-200	0-5000



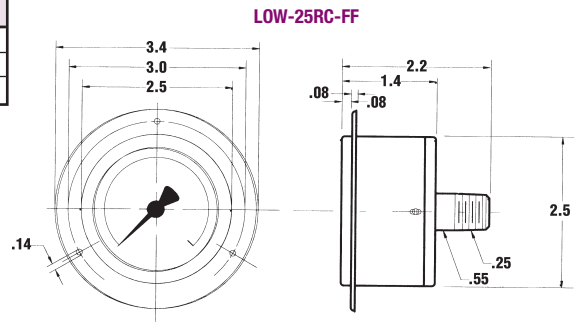
## (oz./sq.in./ H2O)

STANDARD BOTTOM MOUNT MODEL NUMBER	REAR CENTER MOUNT MODEL NUMBER	Ounces	Inches/H2O
LOW-200Z-25	LOW-200Z-25RC	0-20	0-34
LOW-320Z-25	LOW-320Z-25RC	0-32	0-55



## (oz./sq.in./ mmH2O)

STANDARD BOTTOM MOUNT MODEL NUMBER	REAR CENTER MOUNT MODEL NUMBER	Ounces	mm/H2O
LOW-2000Z-25	LOW-200ZMM-25RC	0-15	0-880
LOW-3000Z-25	LOW-300ZMM-25RC	0-30	0-1320
LOW-6000Z-25	LOW-600ZMM-25RC	0-60	0-2640



## Pressure Ranges (Single Scale)

STANDARD BOTTOM MOUNT MODEL NUMBER	REAR CENTER MOUNT MODEL NUMBER	P.S.I.
LOW-03-25	LOW-03-25RC	0-3
LOW-05-25	LOW-05-25RC	0-5
LOW-10-25	LOW-10-25RC	0-10



## Bimetal Thermometer

Model No. BMT

Case & Stem: 304 Stainless Steel

Window: Instrument Glass (Acrylic Optional)

Connections are all 1/2" NPT

External Zero Adjustment

Dial Sizes Available: 3" or 5"

Optional: Temperature Ratings up to 750° Fahrenheit

Optional: Silicone Liquid Filling. Standard Stem Lengths up to 24" and custom lengths up to 72".

Stem lengths are measured from the underneath side of the hex.

Lenz will build to your specifications!

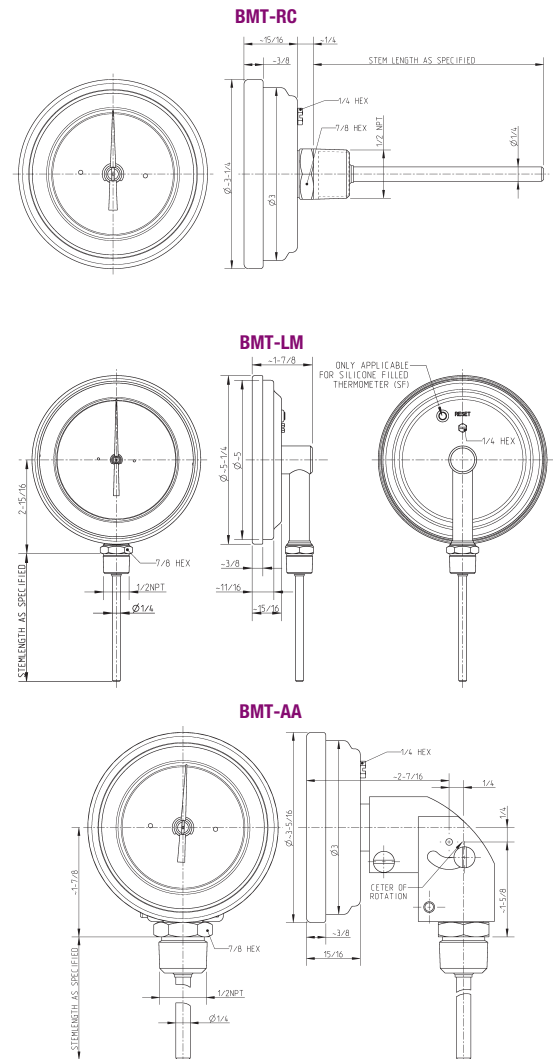
Lenz's Bimetal Thermometers were developed to fill a need for a thermometer performing accurately under rough and difficult applications. This is accomplished by utilizing the Law of Coefficient of Expansion differential of two unlike materials; hence the name "Bimetal Thermometer." The expansion differential of the two unlike metals, connected with a mechanical linkage which Lenz coats with a viscous silicone to minimize pointer oscillation, shows the temperature on the hermetically sealed dial. The Lenz BMT series thermometer probe extends well into the fluid to provide a more accurate reading of fluid temperatures than surface thermometers and are unaffected by ambient temperature.



MODEL NUMBER	DIAL SIZE	TEMPERATURE	STEM LENGTH	STEM CONNECTION
BMT-3-250-25-RC BMT-3-250-4-RC BMT-3-250-6-RC	3"	0-250 F° / -20-120 C°	2 1/2" 4" 6"	Rear Connection
BMT-3-550-25-RC BMT-3-550-4-RC BMT-3-550-6-RC	3"	50-550 F° / 10-290 C°	2 1/2" 4" 6"	Rear Connection
BMT-3-250-25-LM BMT-3-250-4-LM BMT-3-250-6-LM	3"	0-250 F° / -20-120 C°	2 1/2" 4" 6"	Lower Mount
BMT-3-550-25-LM BMT-3-550-4-LM BMT-3-550-6-LM	3"	50-550 F° / 10-290 C°	2 1/2" 4" 6"	Lower Mount
BMT-3-250-25-AA BMT-3-250-4-AA BMT-3-250-6-AA	3"	0-250 F° / -20-120 C°	2 1/2" 4" 6"	All Angle
BMT-3-550-25-AA BMT-3-550-4-AA BMT-3-550-6-AA	3"	50-550 F° / 10-290 C°	2 1/2" 4" 6"	All Angle
BMT-5-550-25-AA BMT-5-550-4-AA BMT-5-550-6-AA	5"	50-550 F° / 10-290 C°	2 1/2" 4" 6"	All Angle

Thermowells permit the removal, replacement or testing of the Bimetal Thermometer without affecting the process media or the system.

Model	Description
TW-25	Thermowell: For 2 1/2" Probe Lengths
TW-4	Thermowell: For 4" Probe Lengths
TW-6	Thermowell: For 6" Probe Lengths





## Transmitters

### Model No. LZAT

#### Specifications

- Protected against reverse polarity, short circuit, and over voltage
- 1/4" NPT, 7/16-20 UNF (S.A.E.), 1/2" NPT connections
- Stainless steel case (316) and (316L) wetted parts
- 18 standard ranges available (0-10,000 P.S.I.)
- Accuracy .5% (B.F.S.L.) of span (Standard)\*
- Non Repeatability < 0.1 % of span
- Hysteresis < 0.16 % of span
- Supply voltage 10-30vdc (14-30 for 0-10vdc output signal)
- Operating temperature 32-180F (0-80 C)
- Response time <4 MS

#### Options

- 4-20 ma, 0-10v, 0-5V
- Electrical connection DIN 175301-803
- Flying leads

#### How it works

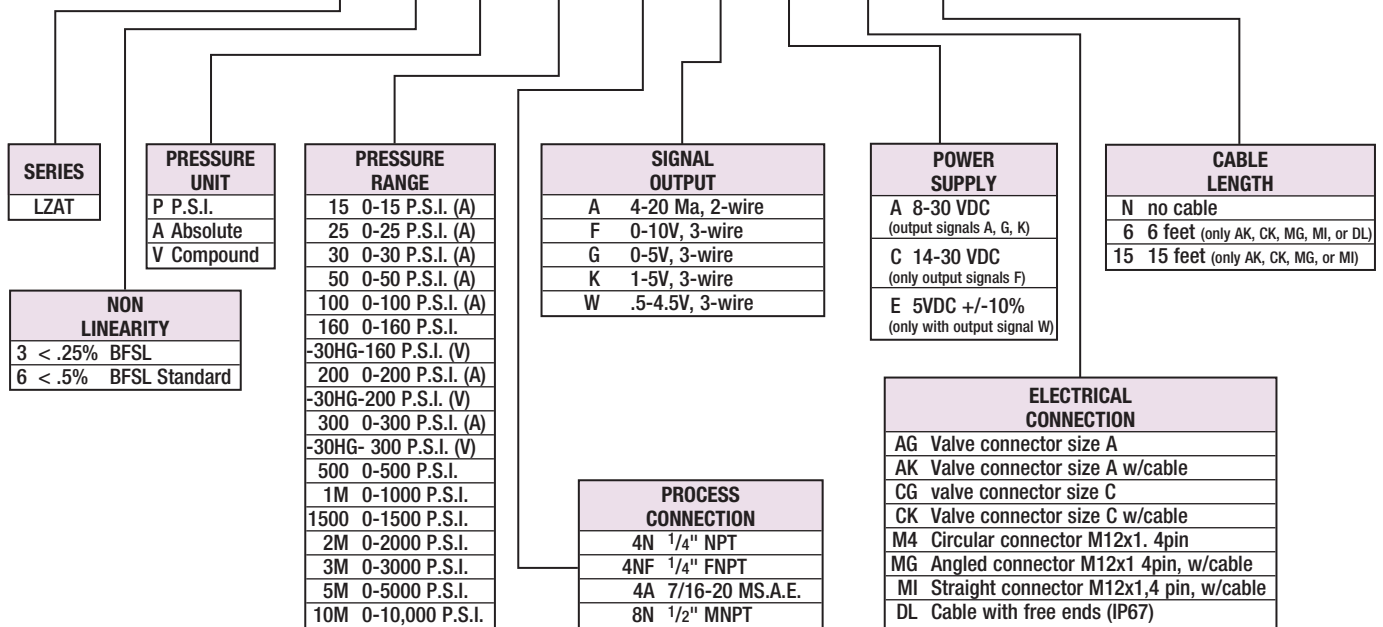
LENZ LZAT pressure transmitters are now available using a flexible modular assembly systems. All components from the process connection, pressure range, electrical connection and cable length are modular. You can now select the range or connection that meets your needs.

Your selection will generate the Lenz model number. Order this model code and we build your pressure transducer.



## Ordering Code

LZAT - 6 - P - 3M - 4N - A - C - AG - 6



1) We recommend 18-22 AWG wire.  
2) LZAT can't be used with chemical seal.





## Dimensions in inches (mm)

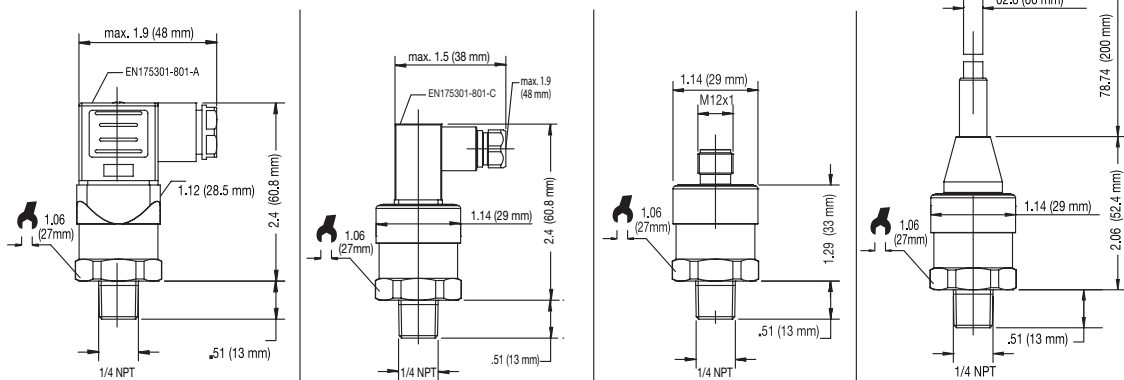
Ingress protection IP per IEC 60529. The ingress protection classes specified only apply while the pressure transmitter is connected with female connectors that provide the equivalent ingress protection.

DIN 175301-803 A  
L-connector  
conductor outer diameter  
.24" to .32"  
IP 65

DIN 175301-803 C  
L-connector  
conductor outer diameter  
.18" to .24"  
IP 65

M 12x1, 4-pin  
IP 67

Flying leads,  
conductor cross section  
.013 in<sup>2</sup>,  
conductor outer diameter  
.26",  
PUR cable - unshielded,  
IP 67

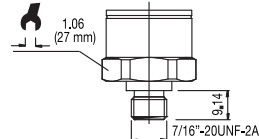
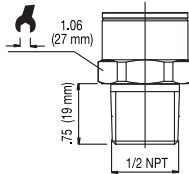
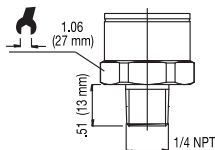


## Pressure connections

1/4 NPT

1/2 NPT Male

7/16 - 20 UNF  
O-ring boss



## Electrical connections

DIN 175301-803 A  
L-connector

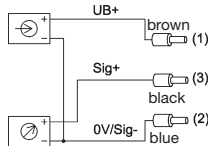
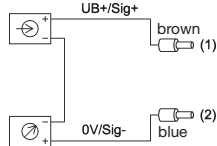
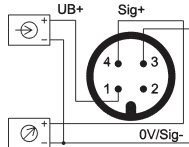
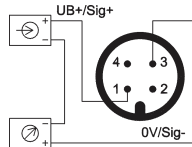
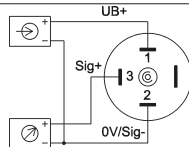
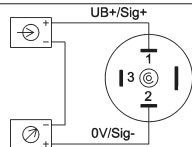
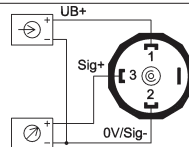
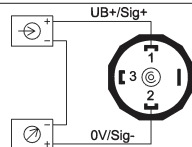
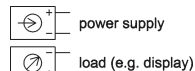
2-wire

3-wire

DIN 175301-803 C  
L-connector

M 12x1, 4-pin  
without angle socket or  
female cable connectors

Flying leads



Specifications and dimensions given in this datasheet represent the state of engineering at the time of printing. Modifications may take place and materials specified may be replaced by others without prior notice.



## Digital Gauge

Model No. LDPG-30

### Specifications

- Pressure ranges: from 0 ... 30 psi up to 0 ... 10,000 psi
- Display accuracy: < + 0.25% B.F.S.L.
- Pressure connections: 1/4 NPT male, 1/2 NPT male
- Case: Stainless steel, 3.15" (80 mm) diameter
- Power supply: 2x 1.5 V Type AA cell
- CE Approval

### Durable, Precise Local Display

A digital display is ideal for precise and fast pressure readings. The LDPG-30 features a durable stainless steel housing and integral battery power supply making it suitable for a wide range of applications and industries.

The multi-function display features a bar graph with a drag pointer function and a MIN/MAX memory. The MIN/MAX memory feature permits later recall of the minimum and maximum pressure readings.

### Standard and Enhanced Versions

The LDPG-30 is available in two versions: standard (LDPG-30-S) and enhanced (LDPG-30-E). Both versions allow the user to easily switch between the most widely-accepted international measurement units including bar, psi and MPa.

Additional features of the enhanced version include a backlit display for use in low light conditions and a housing that can be rotated for optimal viewing. Additional user-programmable functions of the LDPG-30-E include auto power-off, tare function, and password protection.

### Proven Pressure Measurement Technology

Sensors manufactured by LENZ provide high accuracy, longterm stability and excellent repeatability. For optimal performance, pressure ranges up to 600 PSI (50 bar) use the LENZ ceramic sensor. Pressure ranges of 1450 PSI (100 bar) and higher utilize LENZ thin film sensor technology.



**LDPG-30-S**  
Standard Version



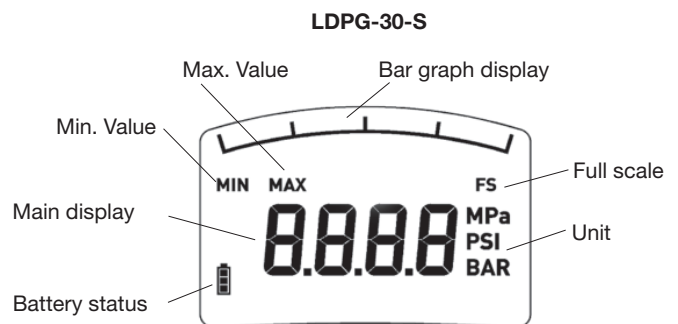
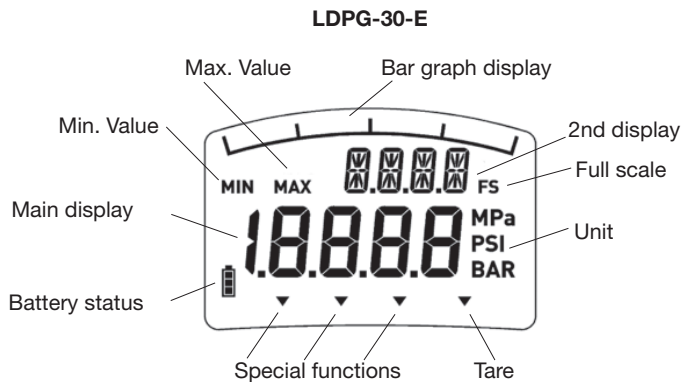
**LDPG-30-E**  
Enhanced Version

### Accessories

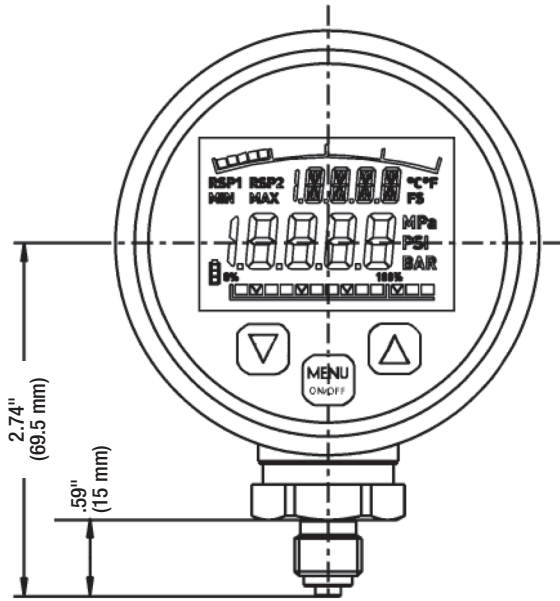
Protective boot  
(black, vulcanized rubber)  
Standard on LDPG-30-E



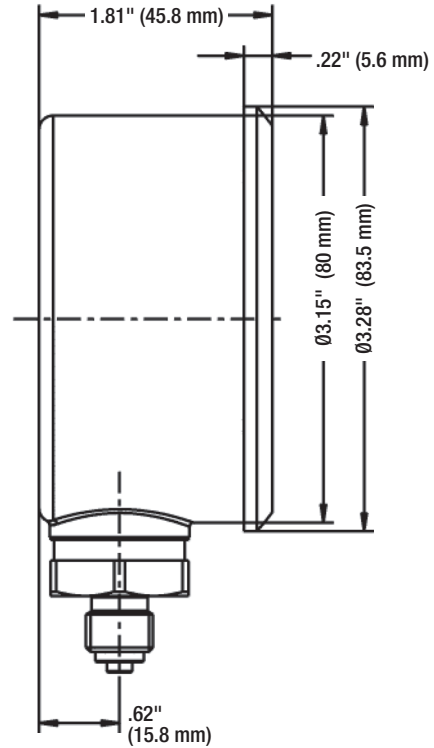
### Description of the Display



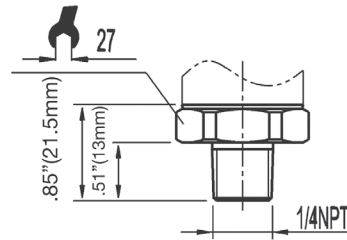
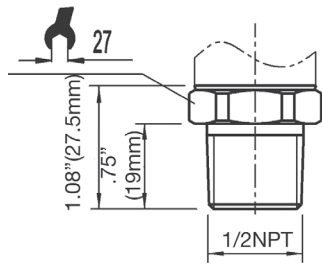
Specifications and dimensions given in this data sheet represent the state of engineering at the time of printing.  
Modifications may take place and materials specified may be replaced by others without prior notice.



1/2 NPT male  
Order code: 8N



1/4 NPT male  
Order code: 4N



### Ordering Code

**LDPG30-S - C - 30-30 - 4N - PB**

MODEL	
LDPG-30-S	STANDARD
LDPG-30-E	ENHANCED

PRESSURE	
G	GAUGE
C	COMPOUND

PRESSURE RANGE	
30-30	-30HG TO 29 PSI
30-72	-30HG TO 72 PSI
30-145	-30HG TO 145 PSI
30	0 TO 30 PSI
60	0 TO 60 PSI
145	0 TO 145 PSI
300	0 TO 300 PSI
600	0 TO 600 PSI
1450	0-1450 PSI
2M	0-2000 PSI
3M	0-3000 PSI
5M	0-5000 PSI
7500	0-7500 PSI
10M	0-10,000 PSI

PROCESS CONNECTION	
4N	1/4" NPT
8N	1/2" NPT

OPTIONS	
PB	PROTECTIVE BOOT



## Digital Gauge

Model No. LDPG-30

Specifications		Model LDPG-30					
Pressure ranges	psi	-30 INHG ... 29 psi		-30 INHG ... 72 psi		-30 INHG ... 145 psi	
Over pressure safety	psi	70		145		290	
Burst pressure	psi	85		170		360	
Pressure ranges	psi	30	60	145	300	600	1450
Over pressure safety	psi	70	145	290	580	1450	2900
Burst pressure	psi	85	170	360	725	1740	11600
Pressure ranges	psi	2000	3000	5000	7500	10000	
Over pressure safety	psi	4640	7250	11600	17400	21750	
Burst pressure	psi	14500	17400	24650	34800	43500	
Materials							
Wetted parts							
» Pressure connection		1.4571, Stainless steel 316TI					
» Pressure sensor		Ceramic Al <sub>2</sub> O <sub>3</sub> 96%, NBR {EPDM }		(up to 0 ... 600 psi)			
		XM-13 (1.4534)		(≥ 1450 psi)			
Case		1.4301, Stainless steel 304					
Power supply		2x 1.5 V Type AA batteries					
Operating time	h	4000 (AA 2000 mAh)					
Internal sampling rate	ms	200					
Insulation voltage	VDC	500					
Display accuracy	% of span	± 0.25% B.F.S.L.					
Zero Offset	% of span	0.1		(Power-up reset)			
Zero adjustability	% of span	20		(via Tare-Function with model LDPG-30-E)			
Hysteresis	% of span	0.1					
Non-repeatability	% of span	0.1					
Long-term stability per year	% of span	0.2					
Long-term drift	% of span	0.1					
Permissible temperature of							
Medium		-4°F ... +185°F (-20°C ... +85°C) (up to 0 ... 600 psi)					
		-22°F ... +212°F (-30°C ... +100°C) (≥ 1450 psi)					
Ambient		+14°F ... +140°F (-10°C ... +60°C)					
Storage		-4°F ... +158°F (-20°C ... +70°C)					
Operating temperature range		+32°F ... +140°F (0°C ... +60°C)					
Temperature coefficients within compensated temp range							
Mean TC of zero	% of span	0.15 / 10k					
Mean TC of span	% of span	0.15 / 10k					
CE-conformity							
Pressure equipment directive		97/23/EC					
EMC directive		89/336/EEC emission (class B) and immunity according to EN 61 326					
Case rotation	°	300° (only with model LDPG-30-E)					
		<b>LDPG-30-S</b>			<b>LDPG-30-E</b>		
Principle		7 segment LCD 4 digit			7 segment LCD 4 1/2 digit		
					14 segment LCD 4 1/2 digit (2nd display)		
Digit size		.43" (11 mm)			.43 (11 mm) and .28" (7 mm)		
Display		-999 ... 9999			-1999 ... 19999		
Background illumination		No			Included		
Bar graph with trailing pointer function		Included			Included		
Min/Max memory		Included			Included		
Auto On/Off		Optional (ex works)			15/30/60/120 min		
Tare adjustment		No			Included		
Units bar, psi, MPa		Included			Included		
Password protection		No			Included		
Reset factory setting		No			Included		
Weight		Approx. 14oz. (400 g)					

{ } Items in curved brackets are optional extras for additional price.



## Gauge Isolator Valve

Model No. GV-4

Single Station

Specifications

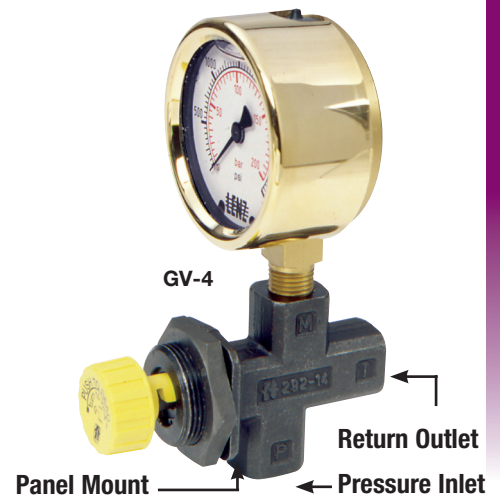
- Push knob to read
- Can be locked in actuated position
- Panel or in-line mounting
- Made of press forged steel
- 5800 P.S.I. working pressure
- Maximum panel thickness 5/16"
- 1/4" NPT ports
- Viton seals

- Compatible with petroleum based fluids and other fluids compatible with Viton seals
- Operating temperature -30°F to +240°F (-22C to +115C)

Ports: 1/4" NPT

Working Pressure: 5800 P.S.I.

*Gauge isolators prevent damaging pressure surges from reaching the gauge except when a reading is required. They help to extend gauge life and maintain accuracy.*



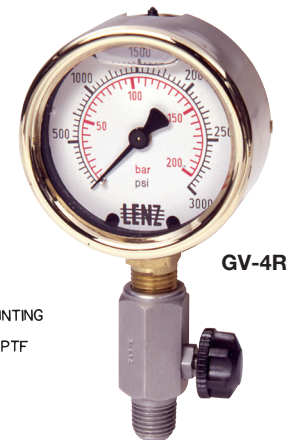
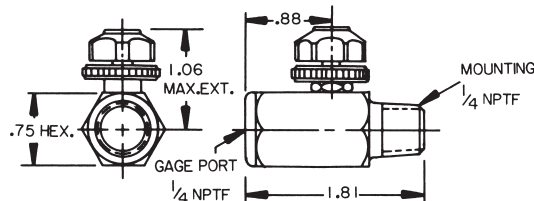
## Gauge Shutoff Valve

Model # GV-4R

The LENZ Gauge Shutoff Valve is a simple effective throttling and shut-off device to isolate and protect hydraulic pressure gauges. It will quickly and positively shut off the gauge from the line pressure or, when partially opened, reduce or eliminate gauge pointer pulsations. The leakproof needle stem is internally retained.

Features:

- Steel Construction
- 5000 P.S.I. Maximum System Pressure
- Viton Seals-Compatible With Most Fluids
- Finger Tip Adjustment and Locknut



## Gauge Shutoff Valve

Model # GV-4N

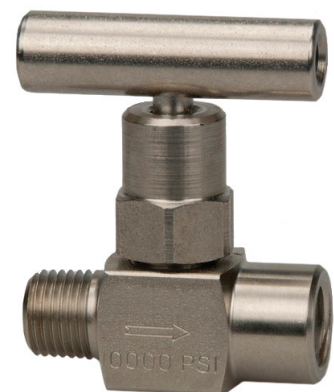
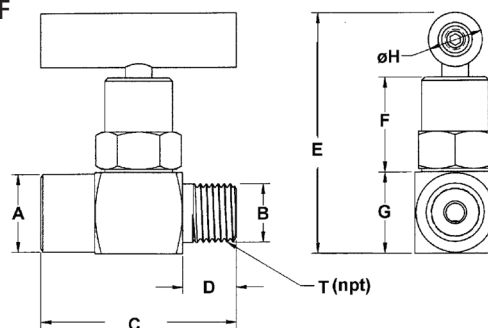
Standard Features:

- Operating Temperature: Media: max. 200°F (+93°C); min. 0°F (-18°C)
- Flow Rate: Max.  $C_v = 0.42$
- Orifice Size: 0.172" (4.37mm)

Features:

- Pressure Rating: 6000 PSI
- Valve Body: Carbon Steel
- Bonnet: Carbon Steel, 12L14
- Valve Stem: 316 Stainless Steel
- Handle: T, Carbon Steel
- Handle Bolt: Carbon Steel, 12L14
- Stem Seals: Viton® O-Ring, Teflon® Back-up Ring

Male - Female



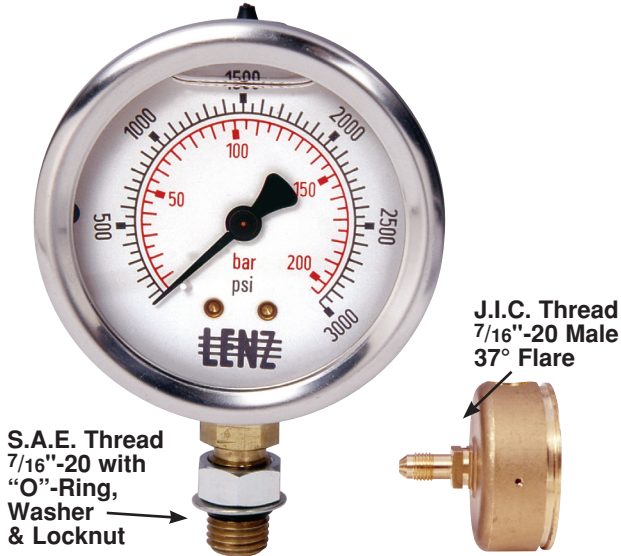
TYPE	WEIGHT	KEY	A	B	C	D	E	F	G	H	T
GV-4N	0.4 lbs.	mm in.	18.3 0.72	13.7 0.54	46 1.81	12.7 0.50	63 2.48	22 0.88	19 0.75	12.7 0.50	1/4"



## Optional Threads

Lenz Pressure gauges can be ordered with special thread connections. (50 Piece Minimum)

- 1) S.A.E. Thread: (7/16"-20 w/ "O"-Ring, washer & locknut)  
**Example:** S.A.E.-AFC-3M-25
- 2) J.I.C. Thread: (7/16"-20 Male 37° Flare)  
**Example:** JIC-AFC-3M-25RC
- 3) B.S.P. Thread: (1/4" R-19, 1/4" BSP-19, G-1/4")  
**Example:** BSP-AFC-3M-25



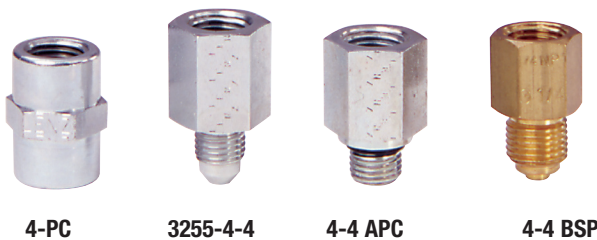
## Maximum Indicating Dial

Lenz's maximum indicating dial follows the regular (black) pointer on increasing pressure and remains at the highest point until it is reset by a knob at the front of the window, Silicone filled. Excellent for determining pressure surges or spikes in system.

**Example:** BAC-5M-25-MID/AFC-3M-25-MID  
*(Installed at Factory)*



## Adapters



MODEL NUMBER	DESCRIPTION
4-PC	1/4" NPT FEMALE x 1/4" NPT FEMALE PIPE COUPLER
3255-4-4	1/4" NPT FEMALE x 7/16"-20 MALE JIC 37° FLARE
4-4 APC	1/4" NPT FEMALE x 7/16"-20 S.A.E. MALE WITH O-RING
4-4 BSP	1/4" NPT FEMALE x 1/4"-19 BSP THREADS

## New Vent Plug for Low Pressure Glycerin Gauges

LENZ introduces a new "Open/Close" Vent plug for low pressure applications less than 100 P.S.I.. In order for the pressure gauge to have accurate readings, vent needs to be in open position.

After shipment, pointer may not rest at zero due to internal case pressure buildup caused by temperature variations. Accuracy may be significantly reduced. To restore gauge to operating condition, move lever of vent plug to "Open" position.

If gauge is not mounted upright, move lever to closed position after venting. Repeat procedure at regular intervals to maintain pressure gauge accuracy.

Vent options available on BAC, AFC, SS Series





## Siphons

LENZ siphons should be used to protect pressure instruments in live steam service or other hot vapor application up to 400 F. The siphon when first installed should be filled with water or suitable separating fluid. The vapor condenses inside the coil of the siphon which prevents the high temperature vapors from reaching the sensing element of the pressure instrument. If you require higher pressures or temperatures please consult the factory.

MODEL NUMBER	DESCRIPTION	PRESSURE
4-SIP	1/4" x 1/4"-MALE (STEEL)	2500
4-SIP-SS	1/4" x 1/4"-MALE (STAINLESS)	2100
8-SIP	1/2" x 1/2"-MALE (STEEL)	1900
8-SIP-SS	1/2" x 1/2"-MALE (STAINLESS)	1600

Add-HP for Schedule 80 for 3000 PSI

## Couplings

(To attach pressure gauges to siphons)

MODEL NUMBER	DESCRIPTION
4-PC	1/4" x 1/4"-MALE (STEEL)
4-PC-SS	1/4" x 1/4"-MALE (STAINLESS)
8-PC	1/2" x 1/2"-MALE (STEEL)
8-PC-SS	1/2" x 1/2"-MALE (STAINLESS)



4-PC



SIP

Vertical Applications

## Chemical Seals

Chemical seals also referred to as diaphragm seals, are used to isolate pressure gauges from clogging and /or corrosive media.

The upper seal is also filled with silicone fluid. Any pressure applied by the process medium to the seal diaphragm is hydraulically transmitted to the pressure element of the gauge, thus generating a pressure reading on the pressure gauge. Factory Installed. Must be ordered with gauges.

### Lenz Heavy Duty Seals

MODEL NUMBER	DESCRIPTION
HDS-4x4	1/4" x 1/4" FEMALE (STEEL)
HDS-4x4-SS	1/4" x 1/4" FEMALE (STAINLESS)
HDS-8x8	1/2" x 1/2" FEMALE (STEEL)
HDS-8x8-SS	1/2" x 1/2" FEMALE (STAINLESS)

### Lenz Mini-Seal

MODEL NUMBER	DESCRIPTION
MS-4x4-SS	1/4" x 1/4" FEMALE (STAINLESS)
MS-4x8-SS	1/4" x 1/2" FEMALE (STAINLESS)
MS-8x8-SS	1/2" x 1/2" FEMALE (STAINLESS)



HDS-8x8

MS-4x4

## Gauge Snubbers

### LGS

- 1/4" NPT male x female connections
- Brass or Stainless Steel materials
- Brass 5,000 P.S.I. maximum, 10 Micron
- Stainless Steel 15,000 P.S.I. maximum, 5 Micron
- Maximum temperature 14F to 248F (-10C to 120C)



LGS



LGS-SS

Lenz gauge snubbers protect pressure gauges against pressure surges and shocks.

### ORDERING CODE

