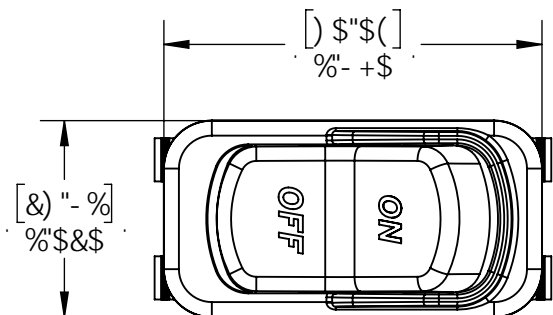


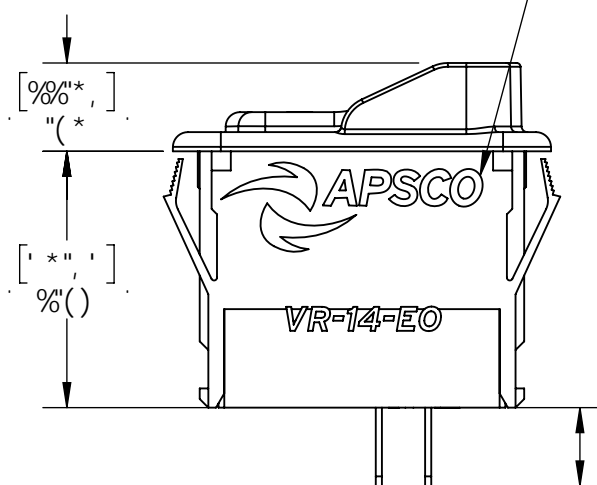
BC H9Gfl B @GGC H: 9FK 69GD97 ÷ 98L  
 %'6F95? '5@@G<5FD'98; 9G  
 &"F9A C J 9'5@6I FFG: C F'G5: 9'<5B8@B;

**F9J 6CBG**

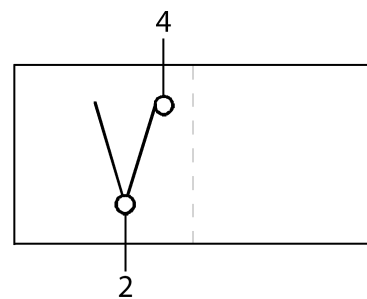
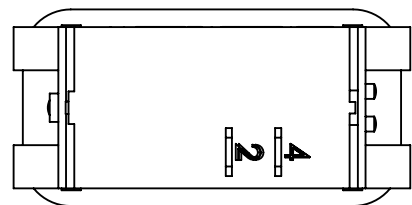
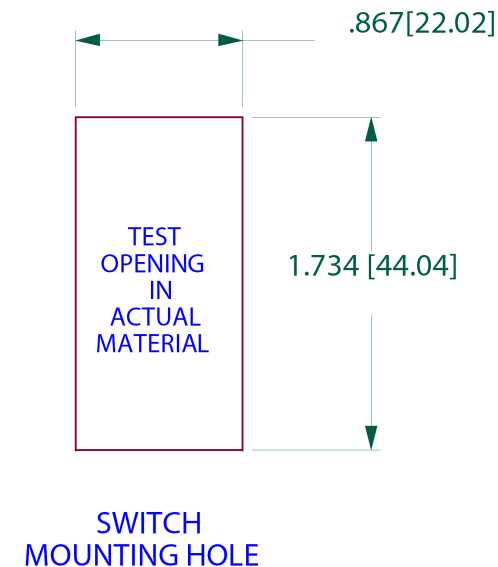
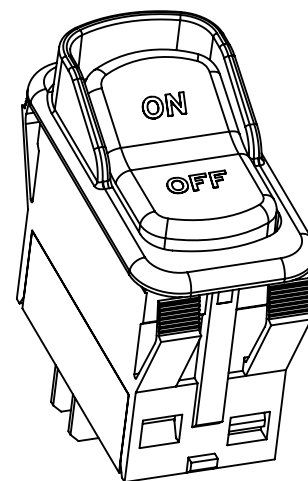
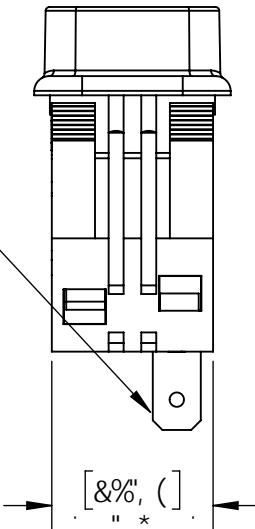
97F	F9J 6CB	89G7 F DHC B	7<5B: 98'6M	85H9	5DDFC J 98'6M
9B;	%	B9K F9@95G9	76	(#&#&\$&\$)	FH






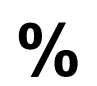
DF BH@; C  
 5B8 D5FHBI A 69F  
 C B GK #7 <



"& \$ L "'\$ ' &  
 0'" ) Q'0, %Q



CIRCUIT DIAGRAM

<p><b>DFCDF 9H5FM5B8 7CB: 89BH5 @</b>          VP O A Q U I T C V Q I P A O U P V C P O O A P Q I O U C Y Q O A W P O A          U U S O A U U U O U V Y A U O 5 DG7 C b W A P Y A U O U U O W O N W P A C A          U C E V A U A E U A Z Y P U S O A Y Q P U W A Y U Q V O P A U O U T Q U W P A U O A  <b>5 DG7 C b W A U A U U P Q Q O O E</b></p>		<p><b>5 DG7 C</b>          , % , ' 95 GH ( ( H &lt; ' GHF99H          H I @ 35 Z C ? ' + ( % )          fl % L * &amp; &amp; ) * \$ \$</p>	
<p>HMD9C: DFC &gt;97 HCB            Hk F8 5B: @9DFC &gt;97 HC B</p>		<p>A 5H9F5@          B#5</p>	
<p>8F5K B  <b>76</b>          7&lt;97798</p>	<p>85H9          ( # &amp; # &amp; \$ &amp; \$ )          85H9</p>	<p>: B G &lt;          B#5</p>	
<p>5DDFC J 98          ?H          : B5@          FH</p>	<p>85H9          ( # &amp; # &amp; \$ &amp; \$ )          85H9          ( # &amp; # &amp; \$ &amp; \$ )          85H9          ( # &amp; # &amp; \$ &amp; \$ )</p>	<p>I B @GGC H: 9FK 69GD97 ÷ 98          8 A 9BGC BG5F9'B 7&lt;9G          HC @F5B7 9G5F9.          897 A 5@ G F: 579: B 6&lt; . * *          "L'1 ± "\$* 5B: @G ± &amp; *          "LL'1 ± "\$' &lt; C @G ± "\$\$)          "LLL'1 ± "\$%\$ &lt; C @G @C 7 5HC B ± "\$\$)</p>	
<p>#B: J F ! % ( ! 9 C</p>		<p>8K ; "' BC "  <b>J F ! % ( ! 9 C</b>          G&lt;99HGAP G7 5 @ F9J 6CB              G&lt;H'C: %</p>	