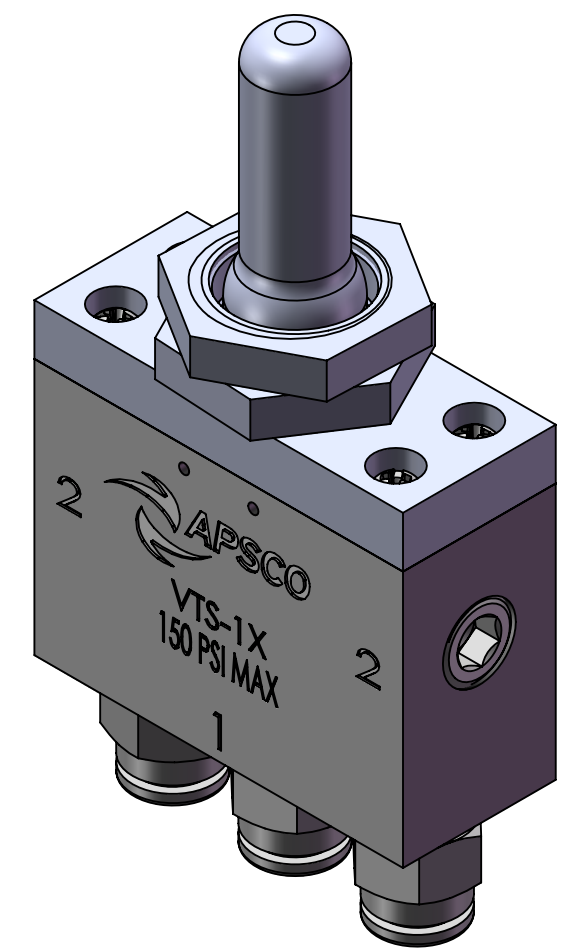
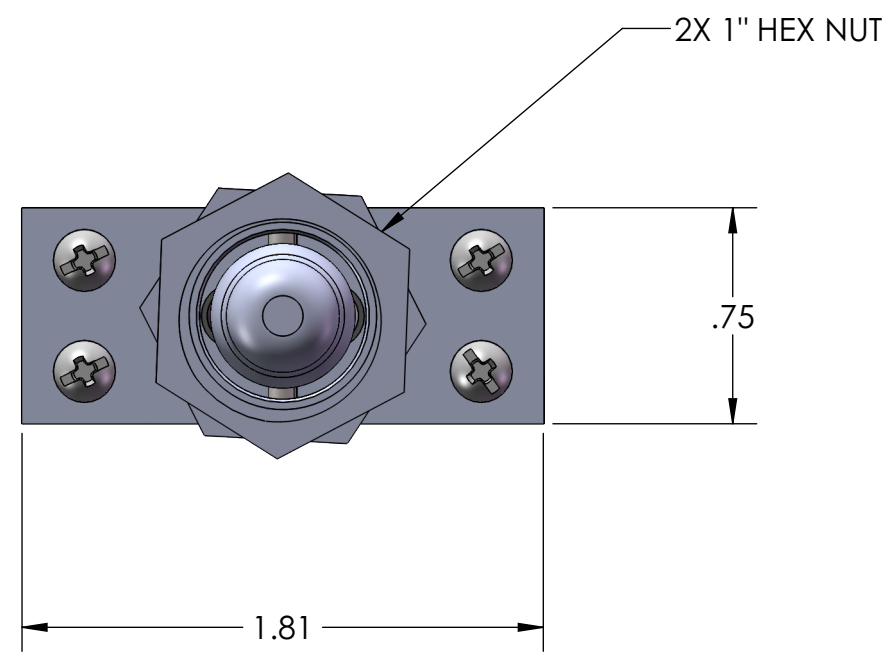
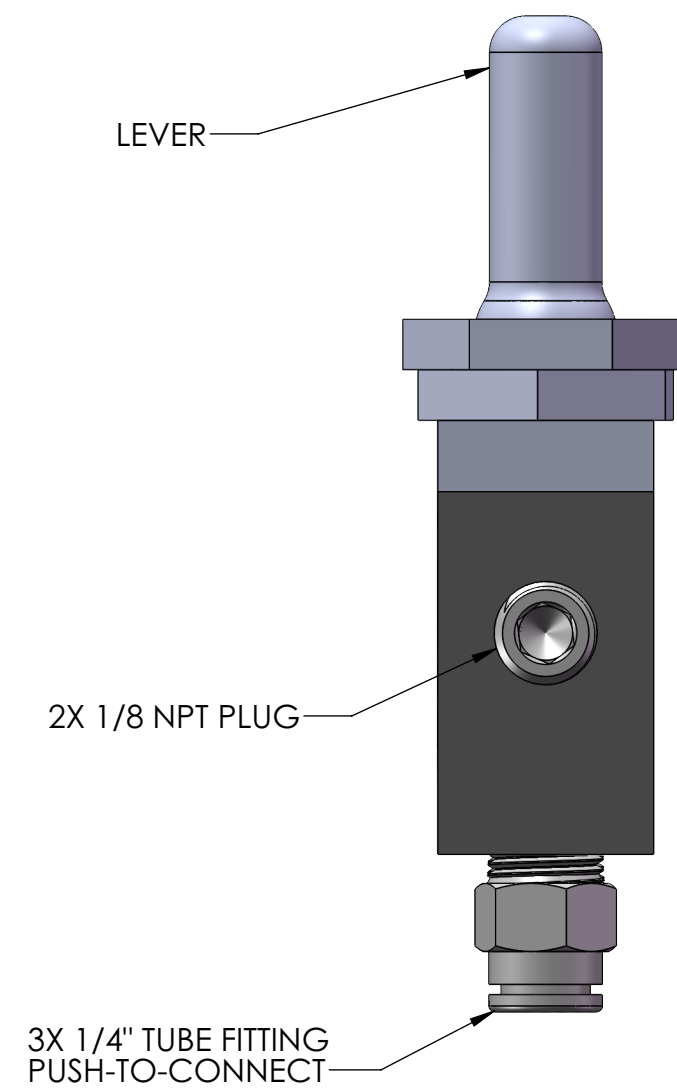
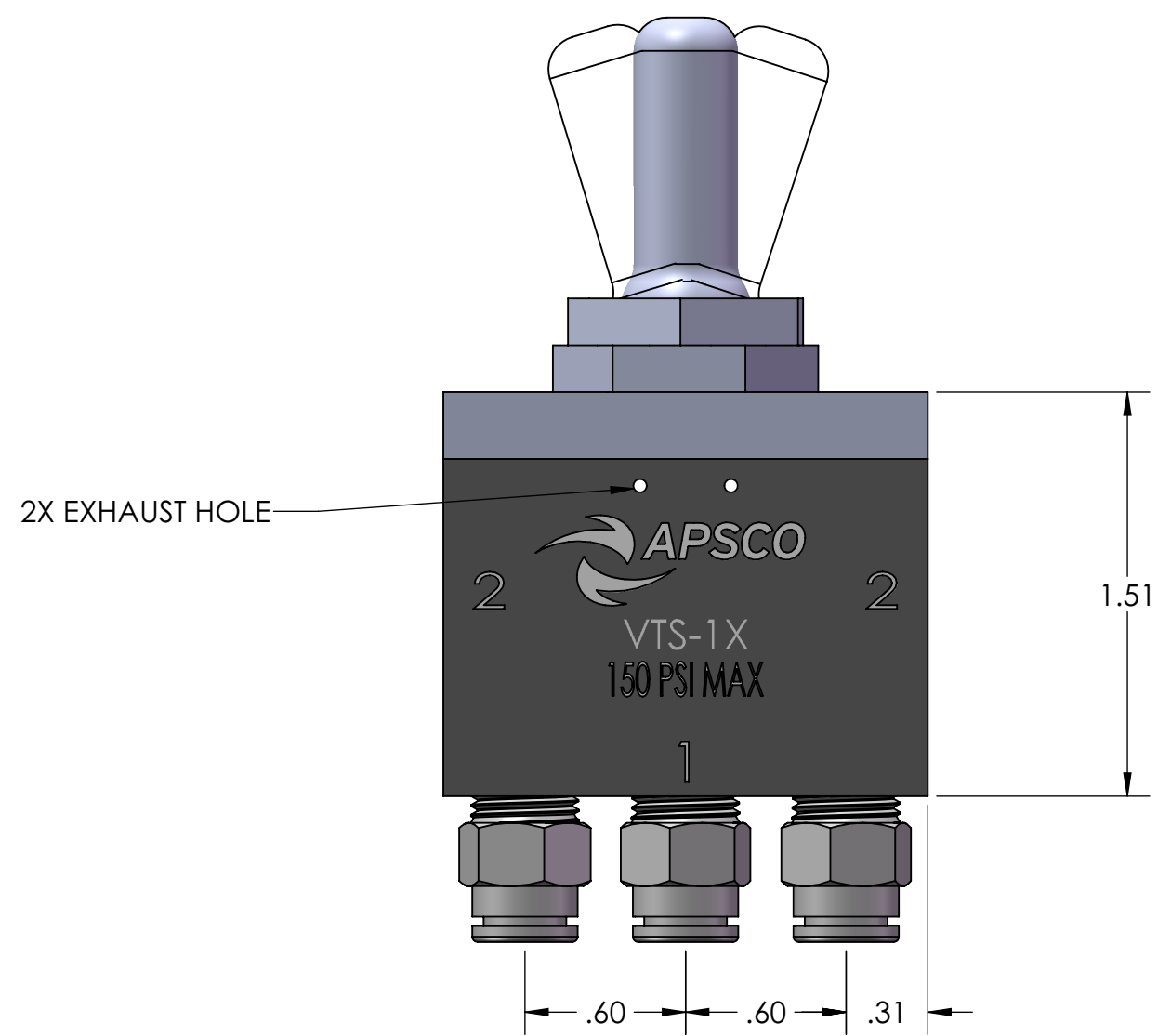


REVISIONS					
ECR	REVISION	DESCRIPTION	CHANGED BY	DATE	APPROVED BY
3632	A	NEW RELEASE	DH	6/21/2018	RT



MOMENTARY/NEUTRAL/MOMENTARY



PROPRIETARY AND CONFIDENTIAL
THE INFORMATION CONTAINED IN THIS DRAWING IS THE SOLE PROPERTY OF APSCO Inc.. ANY REPRODUCTION IN PART OR AS A WHOLE WITHOUT WRITTEN PERMISSION OF APSCO Inc. IS PROHIBITED.

TYPE OF PROJECTION		MATERIAL
THIRD ANGLE PROJECTION		N/A
DRAWN	DATE	FINISH
DH	6/21/2018	
CHECKED	DATE	
RR	6/21/2018	
APPROVED	DATE	N/A
RT	6/21/2018	
FINAL	DATE	
RT	6/21/2018	



TITLE: VALVE TOGGLE 3-POSITION M/N/M		
UNLESS OTHERWISE SPECIFIED DIMENSIONS ARE IN INCHES TOLERANCES ARE:		DWG. NO. VTS-1X
DECIMALS .X = ±.06 .XX = ±.03 .XXX = ±.010	SURFACE FINISH: 63 ANGLES ± 2° HOLES ± .005 HOLES LOCATION ± .005	SHEET SIZE C
DO NOT SCALE DRAWING		SCALE 3:2
F/N: VTS-1X		REVISION A
		SHT. 1 OF 2